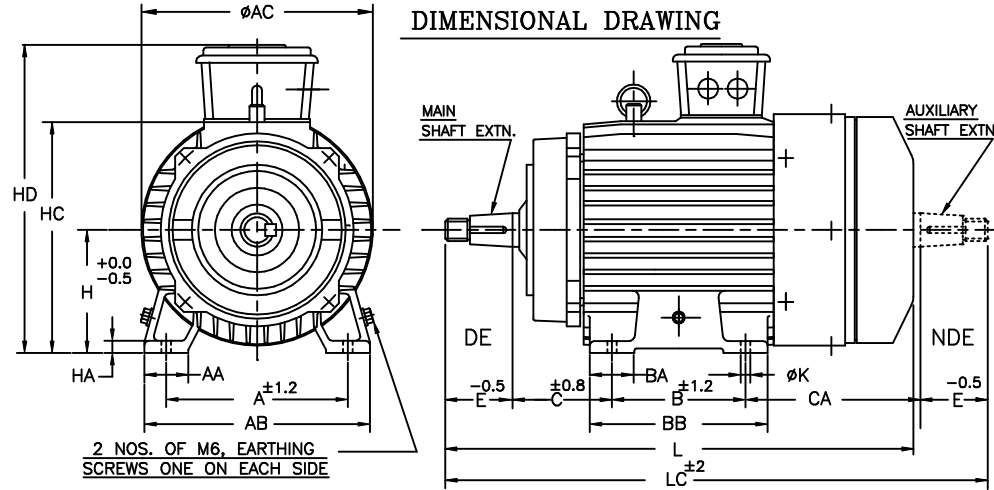


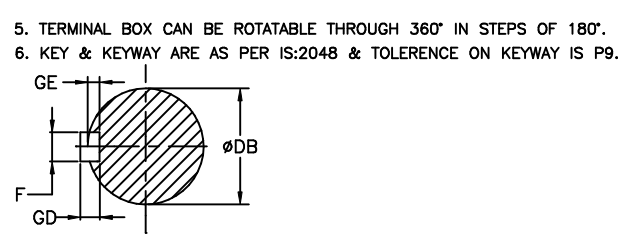
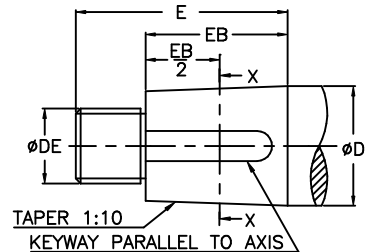
UNMENTIONED TOLERANCES  
 LINEAR ABOVE 0 6 315 1000  
 DIMENSIONS(UPTO 6 315 1000 2000  
 (MACHINED)TOL. ±0.2 ±0.5 ±0.8 ±1.2  
 ANGLES ± 1/2°

ALL INFORMATION CONTAINED IN THIS DOCUMENT IS CONFIDENTIAL AND THE PROPERTY OF KIRLOSKAR ELECTRIC CO.LTD. REPRODUCING OF THESE IN ANY FORM IS TO BE DONE WITH THE SPECIFIC PERMISSION OF THE COMPANY.



2 NOS. OF M6, EARTHING SCREWS ONE ON EACH SIDE

- NOTE : 1. DIMENSIONS ARE AS PER IS:1231  
 2. MAIN & AUXILIARY SHAFT EXTENSIONS ARE IDENTICAL.  
 3. DEGREE OF PROTECTION: IP:55.  
 4. TOLERANCE ON 'D' : k6 UPTO & INCLUDING Ø42

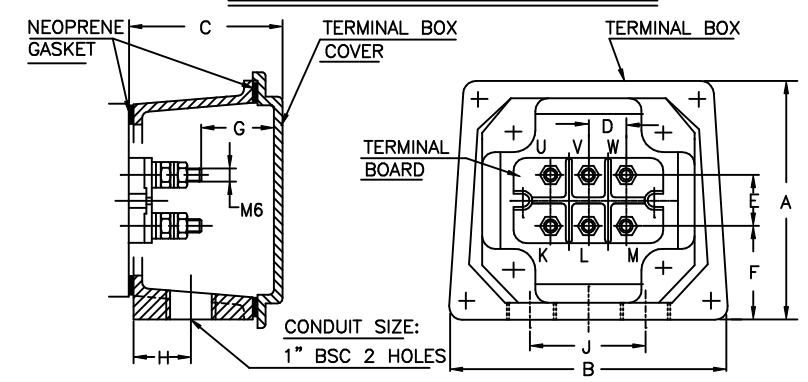


SHAFT EXTENSION DETAILS

SECTION "XX"

SL. NO.	FRAME	A	AA	AB	ØAC	B	BA	BB	C	CA	D	DB	DE	E	EB	F	GD	GE	H	HA	HC	HD	ØK	L	LC
1	ID132M	216	40	256	264	178	40	218	89	288	38	35.1	M24x2	80	58	6	6	3.6	132	12	262	320	12	633	715
2	ID160M	254	60	314	318	210	60	270	108	330	42	37.9	M24X2	110	82	10	8	5	160	14	310	410	15	756	868
3	ID160L					254		314																800	912

TERMINAL BOX ARRANGEMENT



NOTE: MAX. CABLE SIZE : MAIN-2x3Cx16sqmm. FOR 160 FRMAE  
 2x3Cx10sqmm. FOR 132 FRMAE

Sl.No.	FRAME	A	B	C	D	E	F	G	H	J
1	ID 132	101	114	55	20	20	40	21	23	50
2	ID 160	150	164	85	25.4	32	59	27	36.5	60

ITEM/TAG No.				
RATING				
CABLE SIZE				
O/A NO.:		CUSTOMER :		
PROJECT :		CONSULTANT :	JOB No. :	

Z122652200JR

SURFACE ROUGHNESS (MAX) AS PER KSD-02-027  
 Ra µm 50 12.5 25 1.6 3.2 6.3 0.2 0.4 0.8 0.025 0.05 0.1  
 OLD NEW  
 UNMENTIONED  
 CHAM: 1x45°  
 UC: RAD: 8 7 6 5

REV.	ZONE	DCN.No.	BRIEF RECORD	SIGNATURE	DATE	PRINTS ISSUED TO
2	--	0122209	REDRAWN IN A NEW FORMAT.	Sd/-	22.01.09	QA MMD
1	A-3,7	1552299	FRAME DESIGNATION WAS COW CHANGED TO ID	VSI	09.06.99	PRODUCTION

THIS SUPERSEDES ..... FROM dt ..... AS PER DCN No.....  
 THIS SUPERSEDED BY ..... FROM dt ..... AS PER DCN No.....

MATERIAL SPECIFICATION	RAW MATERIAL SIZE	WEIGHT kg	SCALE	
		RM FIN.		

CASTING/FAB REF. --- No.P.S.: ---  
 USED ON ID132 & 160  
 TOP T.B WITH TAPER EXTN.

REDRAWN	CHECKED	STANDARD	APPROVED
Sd/-	Sd/-	Sd/-	Sd/-
d:22/01/2009	d:22/01/2009	d:22/01/2009	d:22/01/2009

TITLE: DIMENSION SHEET  
 32265298R2  
 SHEET ONE OF ONE

KIRLOSKAR ELECTRIC COMPANY LTD. HUBLI-580030 (INDIA)

FORM No. 02 201 02B (ISSUE 7)