

**UNMENTIONED TOLERANCES**

LINEAR DIMENSIONS (MACHINED) / ANGLES	ABOVE 0	6	315	1000
	UPTO 6	315	1000	2000
	(MACHINED) / TOL.	±0.2	±0.5	±0.8 ±1.2
		± 1/2°		

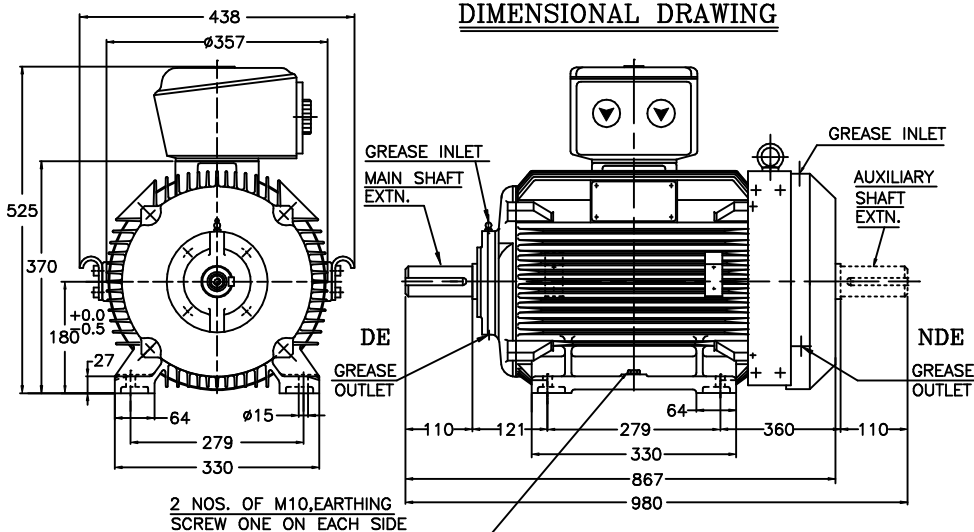
ALL INFORMATION CONTAINED IN THIS DOCUMENT IS CONFIDENTIAL AND THE PROPERTY OF KIRLOSKAR ELECTRIC CO.LTD, REPRODUCING OF THESE IN ANY FORM IS TO BE DONE WITH THE SPECIFIC PERMISSION OF THE COMPANY.

**SURFACE ROUGHNESS (MAX) AS PER KSD-02-027**

Re	50	12.5	25	1.6	3.2	6.3	0.2	0.4	0.6	0.8	0.025	0.05	0.1
OLD	▽	▽	▽	▽	▽	▽	▽	▽	▽	▽	▽	▽	▽
NEW	▽	▽	▽	▽	▽	▽	▽	▽	▽	▽	▽	▽	▽

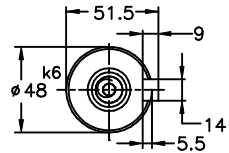
UC: UNMENTIONED CHAM: 1x45°

**DIMENSIONAL DRAWING**



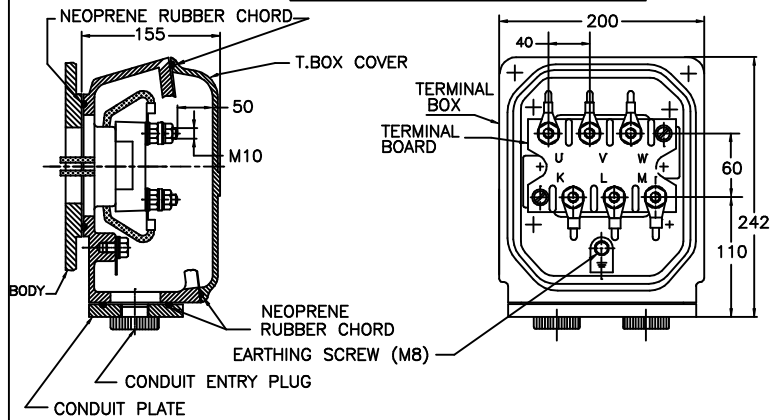
2 NOS. OF M10, EARTHING SCREW ONE ON EACH SIDE

- NOTE :**
1. DIMENSIONS ARE AS PER IS:1231
  2. MAIN & AUXILIARY SHAFT EXTENSIONS ARE IDENTICAL.
  3. DEGREE OF PROTECTION: IP:55.
  4. TERMINAL BOX CAN BE ROTATABLE THROUGH 360° IN STEPS OF 180°.
  5. KEY & KEYWAY ARE AS PER IS:2048 & TOLERANCE ON KEYWAY IS P9.



**DETAILS OF MAIN & AUXILIARY SHAFT EXTENSION**

**TERMINAL BOX ARRANGEMENT**



NOTE: MAX. CABLE SIZE : MAIN-2x3Cx70sqmm.

ITEM/TAG No.			
RATING			
CABLE SIZE			
O/A NO.:		CUSTOMER :	
PROJECT :		CONSULTANT :	JOB No. :

Z122653200JR

REV.	ZONE	DCN.No.	BRIEF RECORD	SIGNATURE	DATE	PRINTS ISSUED TO
2	--	0122209	REDRAWN IN A NEW FORMAT.	Sd/-	22.01.09	Q.A
1	A3,7	1552299	FRAME DESIGNATION WAS COW CHANGED TO ID	VSI	09.06.99	MMD PRODUCTION

THIS SUPERSEDES ..... FROM dt ..... AS PER DCN No.....  
 THIS SUPERSEDED BY ..... FROM dt ..... AS PER DCN No.....

MATERIAL SPECIFICATION	RAW MATERIAL SIZE	WEIGHT kg
		RM FIN.

CASTING/FAB REF. \_\_\_\_\_ No.P.S.:— NTS

USED ON  
 ID180L MkII  
 TOP T.BOX WITH CYLINDRICAL EXTN.

REDRAWN	CHECKED	STANDARD	APPROVED
Sd/-	Sd/-	Sd/-	Sd/-
dt22/01/2009	dt22/01/2009	dt22/01/2009	dt22/01/2009

TITLE: DIMENSION SHEET

32265398R2

SHEET ..... ONE ..... OF ..... ONE .....

KIRLOSKAR ELECTRIC COMPANY LTD. HUBLI-580030 (INDIA)