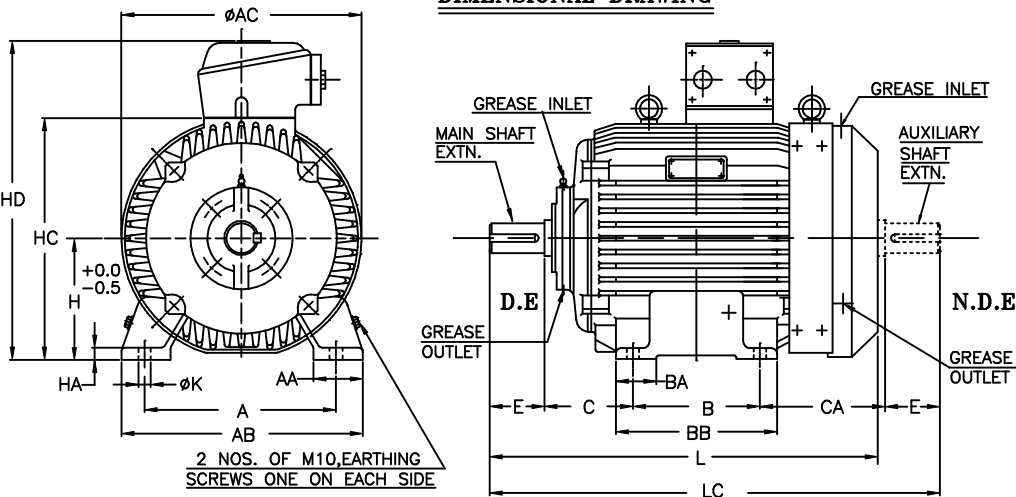


| UNMENTIONED TOLERANCES |                     |
|------------------------|---------------------|
| LINEAR                 | ABOVE 0 6 315 1000  |
| DIMENSIONS(UPTO        | 6 315 1000 2000     |
| (MACHINED)/TOL.        | +0.2 ±0.5 ±0.8 ±1.2 |
| ANGLES                 | ± 1/2°              |

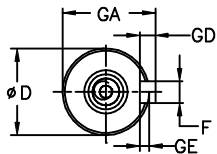
ALL INFORMATION CONTAINED IN THIS DOCUMENT IS CONFIDENTIAL AND THE PROPERTY OF KIRLOSKAR ELECTRIC CO.LTD. REPRODUCING OF THESE IN ANY FORM IS TO BE DONE WITH THE SPECIFIC PERMISSION OF THE COMPANY.

**DIMENSIONAL DRAWING**

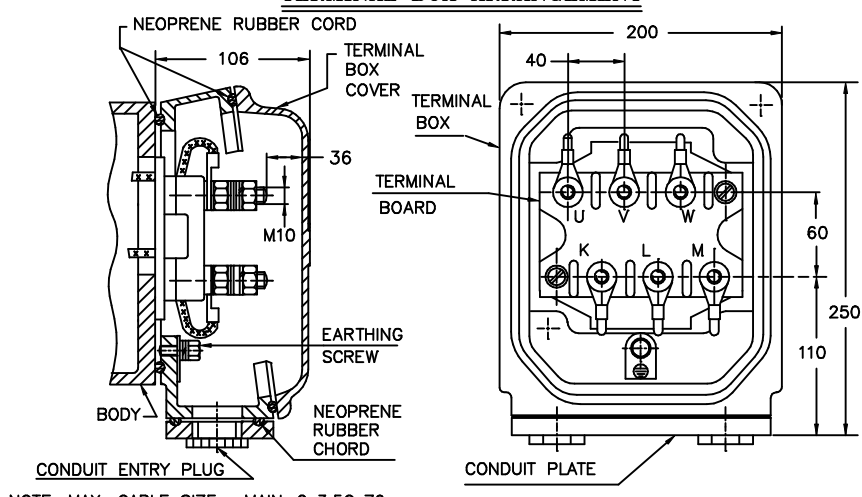


- NOTE :
- DIMENSIONS ARE AS PER IS:1231
  - MAIN & AUXILIARY SHAFT EXTENSIONS ARE IDENTICAL.
  - DEGREE OF PROTECTION: IP:55.
  - TOLERANCE ON 'D' : m6 INCLUDING & ABOVE ø55
  - PROTECTED CENTRE HOLE AT SHAFT EXTENSION AS PER IS:2540. "M20 X 40" FOR 'D'- ø55 & ø60
  - TERMINAL BOX CAN BE ROTATABLE THROUGH 360° IN STEPS OF 180°.
  - KEY & KEYWAY ARE AS PER IS:2048 & TOLERANCE ON KEYWAY IS P9.

**DETAILS OF MAIN & AUXILIARY SHAFT EXTENSION**



**TERMINAL BOX ARRANGEMENT**



NOTE: MAX. CABLE SIZE : MAIN-2x3.5Cx70sqmm.

|              |  |              |           |
|--------------|--|--------------|-----------|
| ITEM/TAG No. |  |              |           |
| RATING       |  |              |           |
| CABLE SIZE   |  |              |           |
| O/A NO.:     |  | CUSTOMER :   |           |
| PROJECT :    |  | CONSULTANT : | JOB No. : |

| SI. NO. | FRAME        | POLES   | A   | AA | AB  | ØAC | B   | BA | BB  | C   | CA  | D  | E   | F  | GA | GD | GE | H   | HA | HC  | HD  | ØK | L    | LC   |
|---------|--------------|---------|-----|----|-----|-----|-----|----|-----|-----|-----|----|-----|----|----|----|----|-----|----|-----|-----|----|------|------|
| 1       | ID 200L MkII | 4,6 & 8 | 318 | 90 | 390 | 434 | 305 | 80 | 355 | 133 | 400 | 55 | 110 | 16 | 59 | 10 | 6  | 200 | 25 | 420 | 526 | 19 | 945  | 1058 |
| 2       | ID 225M MkII | 4,6 & 8 | 356 | 76 | 444 | 518 | 311 | 70 | 356 | 149 | 450 | 60 | 140 | 18 | 64 | 11 | 7  | 225 | 25 | 480 | 586 | 19 | 1047 | 1190 |

SURFACE ROUGHNESS (MAX) AS PER IS:1997-02-027  
 Ra um 50 12.5 25 1.6 3.2 6.3 0.2 0.4 0.6 0.8 10025 0.05 0.1  
 OLD NEW UNMENTIONED  
 CHAM: 1x45°  
 RAD: 7 6 5

| REV. | ZONE  | DCN.No. | BRIEF RECORD                                  | SIGNATURE | DATE     | PRINTS ISSUED TO |
|------|-------|---------|---|-----------|----------|------------------|
| 3    | --    | 0122209 | REDRAWN IN A NEW FORMAT.                      | Sd/-      | 22.01.09 | Q.A              |
| 2    | A,3,7 | 1552299 | FRAME DESIGNATION WAS COW, CHANGED TO ID      | VSI       | 09.06.99 | MMD              |
| 1    | B-7   | 0312298 | FRAME DESIGNATION IN TABLE WAS LD200 & LD225. | VSI       | 09.02.99 | PRODUCTION       |

Z122655300JR

THIS SUPERSEDES ..... FROM dt ..... AS PER DCN No.....  
 THIS SUPERSEDED BY ..... FROM dt ..... AS PER DCN No.....

| MATERIAL SPECIFICATION | RAW MATERIAL SIZE | WEIGHT kg |
|------------------------|-------------------|-----------|
|                        |                   | RM FIN.   |
|                        |                   |           |

CASTING/FAB REF. \_\_\_\_\_ No.P.S.:—

USED ON **ID MkII SERIES.**  
**TOP T.BOX CYLINDRICAL EXTN.**

| REDRAWN       | CHECKED       | STANDARD      | APPROVED      |
|---------------|---------------|---------------|---------------|
| Sd/-          | Sd/-          | Sd/-          | Sd/-          |
| dt.22/01/2009 | dt.22/01/2009 | dt.22/01/2009 | dt.22/01/2009 |

TITLE: **DIMENSION SHEET**

32265598R3

SHEET ONE of ONE

KIRLOSKAR ELECTRIC COMPANY LTD. HUBLI-580030 (INDIA)