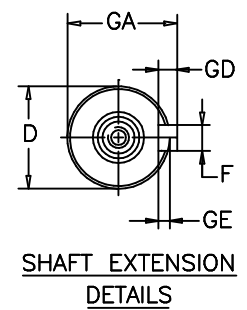
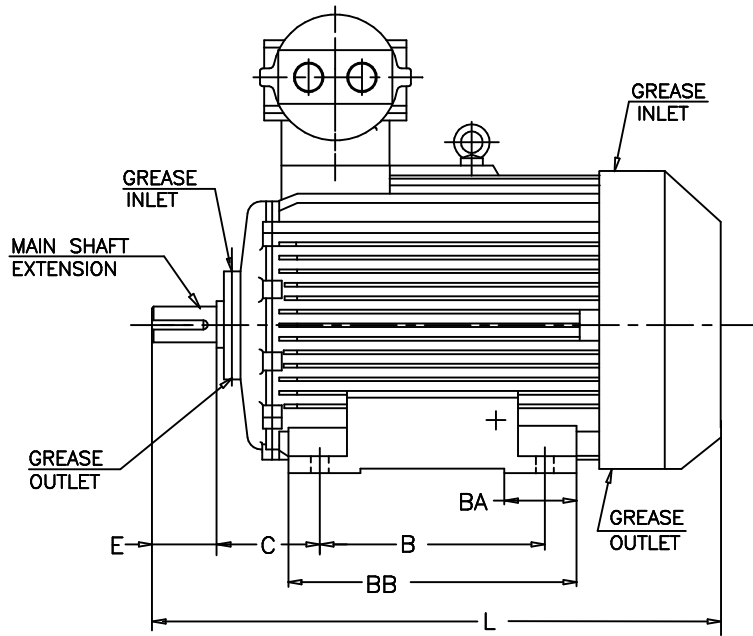
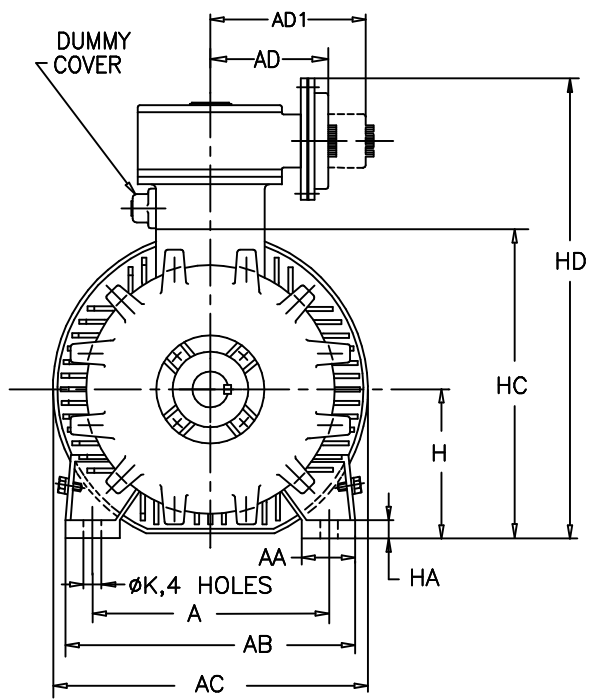


AS PER KSD-02-027

SURFACE ROUGHNESS (MAXIMUM)	Ra (µm)	0.025	0.05	0.1	0.2	0.4	0.6	0.8	1.6	3.2	6.3	12.5	25	50
		OLD	NEW											



- NOTE:-**
- DIMENSIONS ARE AS PER IS:1231.
 - DEGREE OF PROTECTION: IP:55.
 - TOLERANCE ON H:- FOR 250 +0.00 -0.50
FOR 280 AND 315 +0.00 -1.00
 - TOLERANCE ON "D" :- m6.
 - PROTECTED CENTER HOLE "M20x40" DEEP FOR "D" 60 TO 80 & M24x50 DEEP FOR "D" 90 AS PER IS: 2540 AT SHAFT EXTENSION.

LE315L	4,6&8	508	105	620	690	-	428	508	160	620	216	90	170	25	95	14	9	315	33	660	1000	28	1320
LE315L	2	508	105	620	690	-	428	508	160	620	216	70	140	20	74.5	12	7.5	315	33	660	1000	28	1290
LE315S	4,6&8	508	105	620	690	-	428	406	160	518	216	80	170	22	85	14	9	315	33	660	1000	28	1170
LE315S	2	508	105	620	690	-	428	406	160	518	216	65	140	18	69	11	7	315	33	660	1000	28	1140
LE280M	4,6&8	457	90	546	626	250	-	419	88	480	190	75	140	20	79.5	12	7.5	280	33	590	925	24	1095
LE280M	2	457	90	546	626	250	-	419	88	480	190	65	140	18	69	11	7	280	33	590	925	24	1095
LE280S	4,6&8	457	90	546	626	250	-	368	88	429	190	75	140	20	79.5	12	7.5	280	33	590	925	24	1044
LE280S	2	457	90	546	626	250	-	368	88	429	190	65	140	18	69	11	7	280	33	590	925	24	1044
LE250M	4,6&8	406	85	494	571	250	-	349	80	405	168	65	140	18	69	11	7	250	24	535	875	24	935
LE250M	2	406	85	494	571	250	-	349	80	405	168	60	140	18	64	11	7	250	24	535	875	24	935
FRAME	POLE	A	AA	AB	AC	AD	AD1	B	BA	BB	C	D	E	F	GA	GD	GE	H	HA	HC	HD	K	L

UNMENTIONED

CHAM:	4000	2000	1000	500	200	100	50
UC:	315	1000	2000	4000	8000		
RAD:	0	6	315	1000	2000	4000	8000
ABOVE							
UP TO							
TOLERANCE	±0.2	±0.5	±0.8	±1.2	±2	±3	

THIS SUPERSEDES _____ FROM dt. _____ SIGN & dt. _____
 THIS SUPERSEDED BY _____ FROM dt. _____ SIGN & dt. _____

MATERIAL SPECIFICATION	RAW MATERIAL SIZE	WEIGHT kg
		RM FIN.
CASTING/FAB REF.	No.P.S.: 1	SCALE N.T.S.

USED ON

LE 250 TO 315

DRAWN	CHECKED	APPROVED
-Sd-	-Sd-	-Sd-
dt. 97/04/25	dt. 97/04/25	dt. 97/04/25

TITLE: **DIMENSIONAL DRAWING**

31107397 R1

SHEET NO. **ONE** OF **ONE**

KIRLOSKAR ELECTRIC COMPANY LTD. BANGALORE - 560055 (INDIA)

1	A-6;E-7	DIMN. AD1 ADDED.	-Sd-	13.04.2001	PP&MM SH2
REV.	ZONE	BRIEF RECORD	SIGNATURE	DATE	PRINTING ROOM
8	7	6	5		PRINTS ISSUED TO

FORM No. 11401033