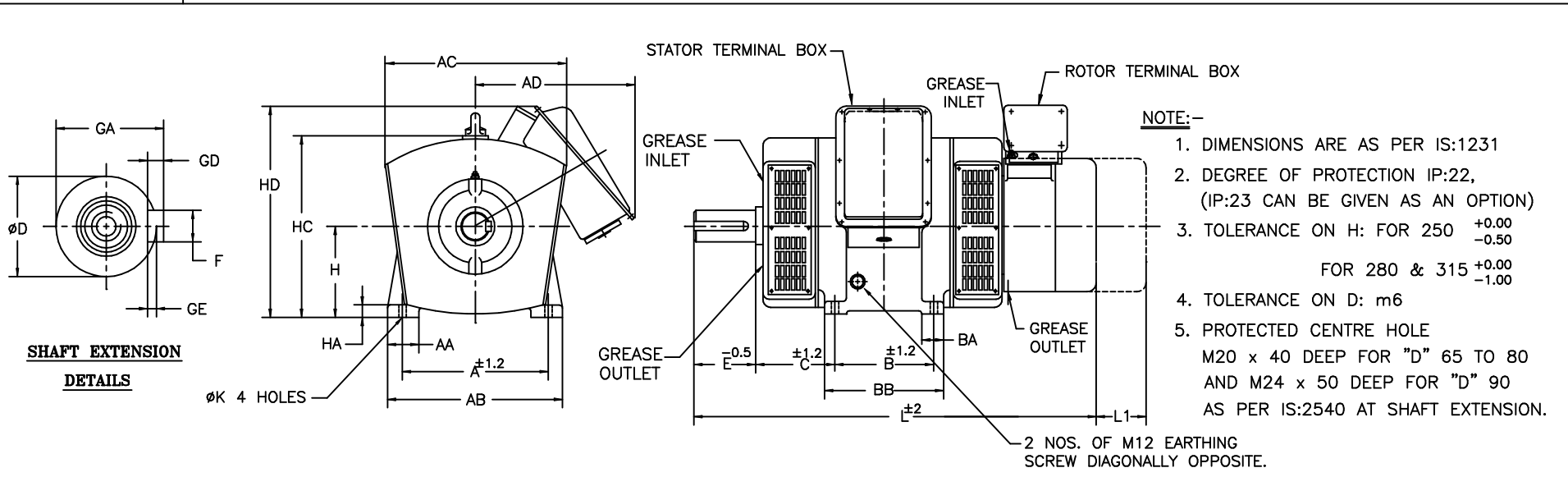


AS PER KSD-02-027

RO (mm)	0.025	0.05	0.1	0.2	0.4	0.6	0.8	1.6	3.2	6.3	12.5	25	50
SURFACE ROUGHNESS (MAXIMUM)	NEW	NEW	NEW	NEW	NEW	NEW	NEW	NEW	NEW	NEW	NEW	NEW	NEW



SB 315M	4, 6, & 8	508	110	620	730	690	457	120	540	216	90	170	25	95	14	9	315	32	630	840	28	1455	200
SB 315S	4, 6, & 8	508	110	620	730	690	406	120	490	216	90	170	25	95	14	9	315	32	630	840	28	1405	200
SB 280M	4, 6, & 8	457	90	545	650	660	419	90	483	190	80	170	22	85	14	9	280	32	555	760	24	1320	160
SB 280S	4, 6, & 8	457	90	545	650	660	368	90	432	190	80	170	22	85	14	9	280	32	555	760	24	1270	160
SB 250M	4, 6, & 8	406	82	490	585	555	349	102	410	168	75	140	20	79.5	12	7.5	250	28	503	730	24	1175	160
SB 250S	4, 6, & 8	406	82	490	585	555	311	102	370	168	75	140	20	79.5	12	7.5	250	28	503	730	24	1135	160
FRAME	POLE	A	AA	AB	AC	AD	B	BA	BB	C	D	E	F	GA	GD	GE	H	HA	HC	HD	K	L	L1

UNMENTIONED

UC:	1000	2000	4000
CHAM:	4000	8000	16000
UC:	±0.5	±1.2	±2
CHAM:	±0.2	±0.5	±1

ANGLES ± 1/2°	0	6	315	1000	2000	4000
LINER DIMENSIONS (MACHINED)	0	6	315	1000	2000	4000
ABOVE UPTO TOLERANCE	±0.2	±0.5	±0.8	±1.2	±2	±3
REV.	2	1				
ZONE	AB-2	D-1,2				
BRIEF RECORD	HD DIMENSION 840, 760 & 730 WAS 810, 745 & 585 RESPECTIVELY.					
	DEGREE OF PROTECTION : IP:22 WAS IP:23					
SIGNATURE	Sd/-					
DATE	05/2/04					
	18/6/03					
	MKTG.AC.M					
	PP & MM					
PRINTS ISSUED TO						

THIS SUPERSEDES \_\_\_\_\_ FROM dt \_\_\_\_\_ SIGN & dt \_\_\_\_\_

THIS SUPERSEDED BY \_\_\_\_\_ FROM dt \_\_\_\_\_ SIGN & dt \_\_\_\_\_

MATERIAL SPECIFICATION	RAW MATERIAL SIZE	WEIGHT kg
		RM FIN.

CASTING/FAB REF. \_\_\_\_\_ No.P.S.: 1

USED ON \_\_\_\_\_

**SB SERIES**

SCALE **NTS**

DRAWN	CHECKED	APPROVED
dt. 7.11.96	dt. 7.11.96	dt. 7.11.96

TITLE: **DIMENSIONAL DRAWING**

**31112996 R2**

SHEET NO. 078 OF 078

KIRLOSKAR ELECTRIC COMPANY LTD. BANGALORE - 560055 (INDIA)