

UNMENTIONED TOLERANCES

LINEAR DIMENSIONS (MACHINED) TOL.	ABOVE 0	6	315	1000
ANGLES	0	± 1/20		

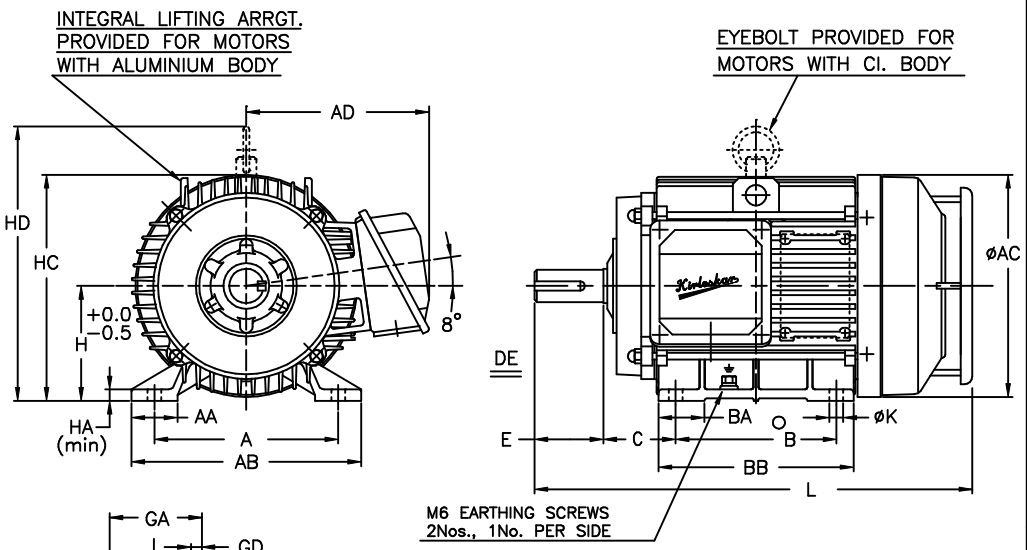
ALL INFORMATION CONTAINED IN THIS DOCUMENT IS CONFIDENTIAL AND THE PROPERTY OF KIRLOSKAR ELECTRIC CO.LTD., REPRODUCING OF THESE IN ANY FORM IS TO BE DONE WITH THE SPECIFIC PERMISSION OF THE COMPANY.

SURFACE ROUGHNESS (MAX) AS PER KSD-02-027

50	12.5	25	1.6	3.2	6.3	0.2	0.4	0.6	0.8	10.025	0.05	0.1
NEW	✓	✓	✓	✓	✓	✓	✓	✓	✓	✓	✓	✓
OLD	✓	✓	✓	✓	✓	✓	✓	✓	✓	✓	✓	✓

CHAM: UNMENTIONED

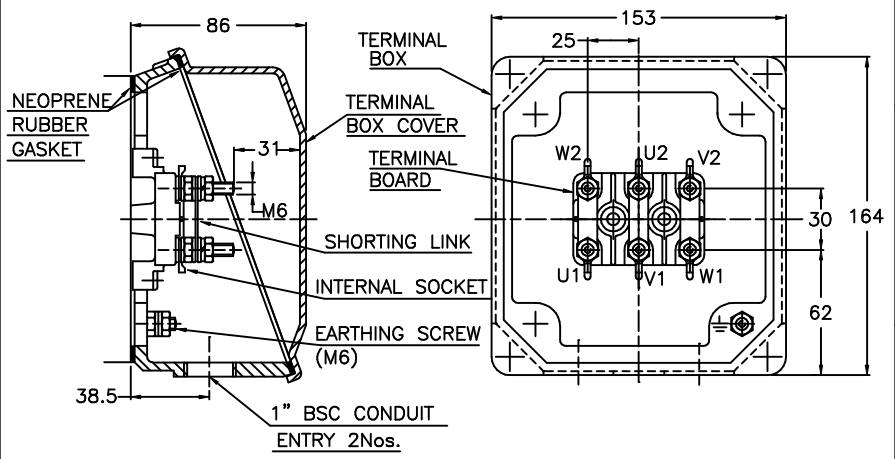
DIMENSIONAL DRAWING



- NOTE :
1. DIMENSIONS ARE AS PER IS:1231
 2. DEGREE OF PROTECTION: IP:55.
 3. TOLERANCE ON 'D' : k6.
 4. PROTECTED CENTRE HOLE AT SHAFT EXTENSION AS PER IS:2540. "M16 X 32" FOR 'D'- Ø42
 5. TERMINAL BOX CAN BE ROTATABLE THROUGH 360° IN STEPS OF 90°.
 - * 6. BELOW MENTIONED 'HA' DIMENSIONS ARE MINIMUM.
 7. KEY & KEYWAY ARE AS PER IS:2048 & TOLERANCE ON KEYWAY IS P9.

SL. NO.	FRAME	A	AA	AB	ØAC	AD	B	BA	BB	C	D	E	F	GA	GD	H	*HA	HC	HD	ØK	L
1	PMR 160M	254	60	314	310	250	210	60	270	108	42	110	12	45	8	160	14	315	380	15	617
2	PMR 160L					254			314												661

TERMINAL BOX ARRANGEMENT



NOTE: MAX. CABLE SIZE : MAIN-2x3Cx16 sqmm. SHORTING LINK WILL BE PROVIDED FOR DOL START.

ITEM/TAG No.			
RATING			
CABLE SIZE			
O/A NO.:	CUSTOMER :		
PROJECT :	CONSULTANT :		JOB No. :

Z122231000JX

THIS SUPERSEDES FROM dt. AS PER DCN No.		THIS SUPERSEDED BY FROM dt. AS PER DCN No.	
MATERIAL SPECIFICATION	RAW MATERIAL SIZE	WEIGHT kg	
		RM FIN.	
CASTING/FAB REF. _____		No.P.S.: _____	SCALE NTS
USED ON		DRAWN	CHECKED
<p align="center">PMR 160</p>		sd/-	sd/-
		dt. 10.06.99	dt. 10.06.99
STANDARD		APPROVED	
		sd/-	sd/-
		dt. 10.06.99	dt. 10.06.99

TITLE: **DIMENSION SHEET** **32223199**

SHEET 1 OF 1

KIRLOSKAR ELECTRIC COMPANY LTD. HUBLI-580030 (INDIA)

REV.	ZONE	DCN.No.	BRIEF RECORD	SIGNATURE	DATE	PRINTS ISSUED TO
8						
7						
6						
5						