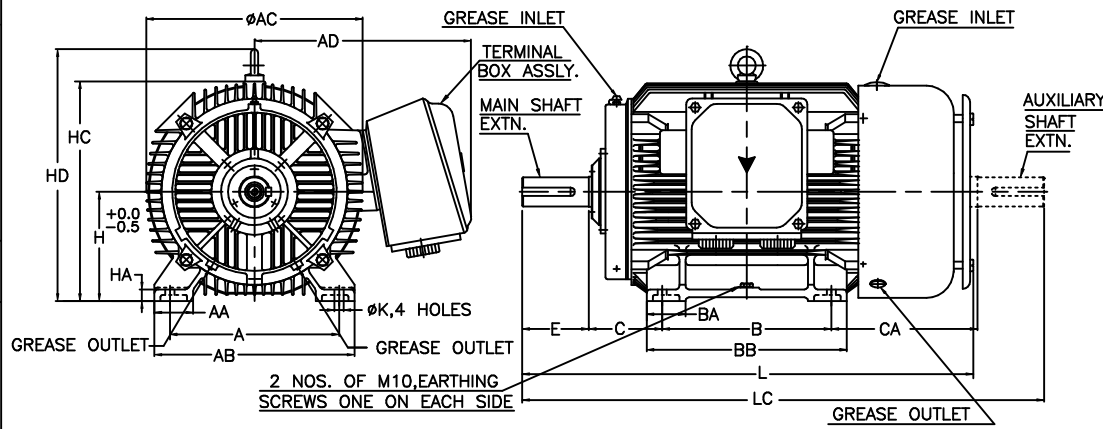


UNMENTIONED TOLERANCES

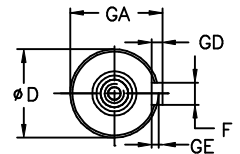
LINEAR DIMENSIONS (MACHINED)	ABOVE 0	6	315	1000
	UP TO	6	315	1000
			±0.2	±0.5
ANGLES			± 1/2°	

ALL INFORMATION CONTAINED IN THIS DOCUMENT IS CONFIDENTIAL AND THE PROPERTY OF KIRLOSKAR ELECTRIC CO.LTD. REPRODUCING OF THESE IN ANY FORM IS TO BE DONE WITH THE SPECIFIC PERMISSION OF THE COMPANY.

DIMENSIONAL DRAWING



2 NOS. OF M10, EARTHING SCREWS ONE ON EACH SIDE

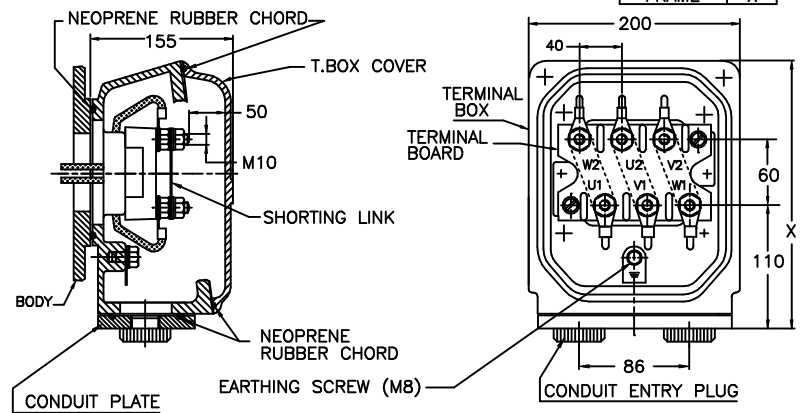


DETAILS OF MAIN & AUXILIARY SHAFT EXTENSION

- NOTE :
1. DIMENSIONS ARE AS PER IS:1231
 2. MAIN & AUXILIARY SHAFT EXTENSIONS ARE IDENTICAL.
 3. DEGREE OF PROTECTION: IP:55.
 4. TOLERANCE ON 'D' : k6 UP TO & INCLUDING Ø48 : m6 INCLUDING & ABOVE Ø55 "M16 X 32" FOR 'D'- Ø48 "M20 X 40" FOR 'D'- Ø55 & Ø60
 5. PROTECTED CENTRE HOLE AT SHAFT EXTENSION AS PER IS:2540.
 6. TERMINAL BOX CAN BE ROTATABLE THROUGH 360° IN STEPS OF 90°.
 7. BELOW MENTIONED 'HA' DIMENSIONS ARE MINIMUM.
 8. KEY & KEYWAY ARE AS PER IS:2048 & TOLERANCE ON KEYWAY IS P9.

SL. NO.	FRAME	POLES	A	AA	AB	ØAC	AD	B	BA	BB	C	CA	ØD	E	F	GA	GD	GE	H	HA	HC	HD	ØK	L	LC
1	SC 180M	2,4,6 & 8	279	64	330	357	357	241	64	292	121	235.5	48	110	14	51.5	9	5.5	180	19	362	415	15	707	817.5
2	SC 180L	2,4,6 & 8						279		330														745	855.5
3	SC 200L	2,4,6 & 8	318	90	390	413	380	305	80	355	133	255.5	55	110	16	59	10	6	200	25	410	495	19	802	913.5
4	SC 225S	2						286		331			55	110	16	59	10	6						829	941
5	SC 225S	4,6 & 8											60	140	18	64	11	7	225	25	463	544	19	859	1001
6	SC 225M	2	356	76	444	470	408		70		149	286	55	110	16	59	10	6						854	966
7	SC 225M	4,6 & 8						311		356			60	140	18	64	11	7						884	1026

TERMINAL BOX ARRANGEMENT



NOTE: MAX. CABLE SIZE : MAIN-2x3.5Cx95sqmm. SHORTING LINKS ARE PROVIDED ONLY FOR DOL START. AND NOT FOR STAR-DELTA STARTING.

SC225	255
SC180,200	242
FRAME	X

ITEM/TAG No.			
RATING			
CABLE SIZE			
O/A NO.:		CUSTOMER :	
PROJECT :		CONSULTANT :	JOB No. :

Z122422200JK

SURFACE ROUGHNESS (MAX) AS PER KSD-02-027

Ro	50	12.5	25	1.6	3.2	6.3	0.2	0.4	0.6	0.8	0.025	0.05	0.1
OLD	✓	✓	✓	✓	✓	✓	✓	✓	✓	✓	✓	✓	✓
NEW	✓	✓	✓	✓	✓	✓	✓	✓	✓	✓	✓	✓	✓

CHAM: UNMENTIONED

REV.	ZONE	DCN.No.	BRIEF RECORD	SIGNATURE	DATE	PRINTS ISSUED TO
2	C2	1572299	CABLE SIZE WAS 2x3Cx95sq.mm CHANGED TO 2x3.5Cx70sq.mm	sd/-	09.06.99	QA
1		0962298	SC225 FRAME SI.No. 4 TO 7 ADDED AND SINGLE SHAFT EXTENSION WITH CLEANFLOW ARRANGEMENT DIMN.SHEET DRG.No. 32226497 SUPERSEDED	sd/-	27.02.98	MARKETING PRODUCTION

THIS SUPERSEDES 32226497 FROM dt. 27.02.98 AS PER DCN No. 0962298

THIS SUPERSEDED BY FROM dt. AS PER DCN No.

MATERIAL SPECIFICATION	RAW MATERIAL SIZE	WEIGHT kg
		RM FIN.

CASTING/FAB REF. No.P.S.:
 USED ON DRAWN CHECKED STANDARD APPROVED

SC 180 TO 225

TITLE: DIMENSION SHEET (WITH CLEANFLOW ARRANGEMENT)

32242297R2

SHEET ONE of ONE

KIRLOSKAR ELECTRIC COMPANY LTD. HUBLI-580030 (INDIA)