

UNMENTIONED TOLERANCES

LINEAR DIMENSIONS (UP TO 1000)	0	6	315	1000
(MACHINED) TOL.	±0.2	±0.5	±0.8	±1.2
ANGLES	± 1/2°			

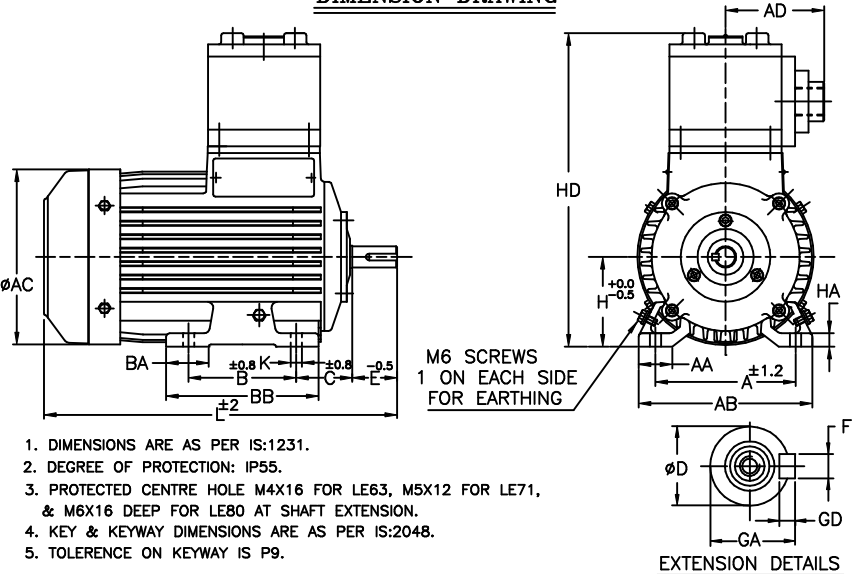
ALL INFORMATION CONTAINED IN THIS DOCUMENT IS CONFIDENTIAL AND THE PROPERTY OF KIRLOSKAR ELECTRIC CO.LTD. REPRODUCING OF THESE IN ANY FORM IS TO BE DONE WITH THE SPECIFIC PERMISSION OF THE COMPANY.

SURFACE ROUGHNESS (MAX) AS PER KSD-02-027

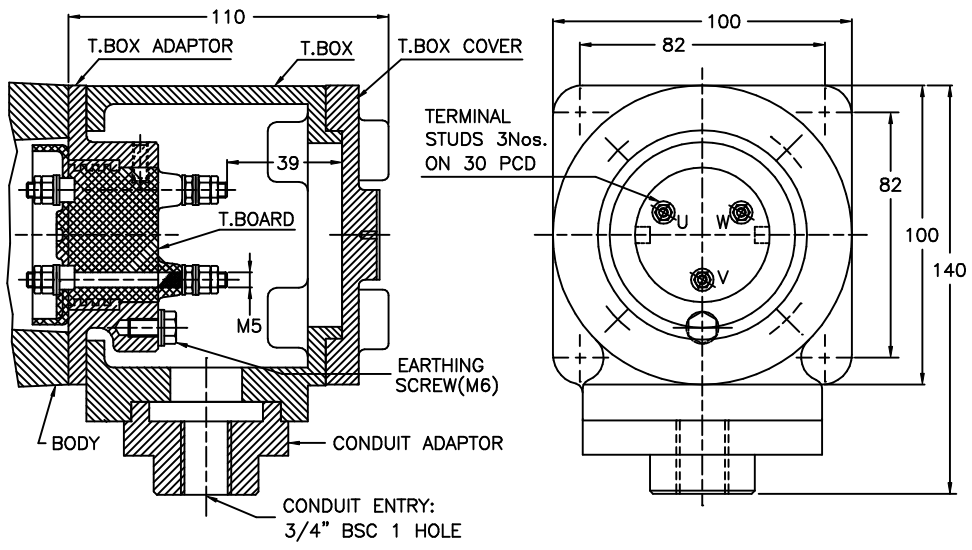
Ra	0.1	0.25	0.4	0.8	1.6	3.2	6.3	12.5	25
OLD	▽	▽	▽	▽	▽	▽	▽	▽	▽
NEW	▽	▽	▽	▽	▽	▽	▽	▽	▽

UC: UNMENTIONED CHAM: R0.5

DIMENSION DRAWING



TERMINAL BOX ARRANGEMENT



NOTE:-

1) CABLE SIZE :- LE63, 71 & 80 - 1X4CX4Sq.mm (MAX)

ITEM/TAG No.			
RATING			
CABLE SIZE			
O/A NO.:	CUSTOMER :		
PROJECT :	CONSULTANT :	JOB No. :	

SL	Frame	A	AA	AB	φAC	AD	B	BA	BB	C	D	E	F	GA	GD	H	HA	HD	φK	L
1	LE 63	100	25	128	127	90	80	29	108	40	11 ^{j6}	23	4	12.5	4	63	8	249	7	265
2	LE 71	112	32	140	140	90	90	27	120	45	14 ^{j6}	30	5	16	5	71	8	266	7	285
3	LE 80	125	30	155	157	90	100	38	136	50	19 ^{j6}	40	6	21.5	6	80	12	281	10	315

Z122627100JR

THIS SUPERSEDES FROM dt AS PER DCN No.....
 THIS SUPERSEDED BY FROM dt AS PER DCN No.....

MATERIAL SPECIFICATION	RAW MATERIAL SIZE	WEIGHT kg
---	---	RM FIN.
		SCALE NTS

CASTING/FAB REF. --- No.P.S.: ---
 USED ON **LE63 TO 80** REDRAWN CHECKED STANDARD APPROVED
 Sd/- Sd/- Sd/- Sd/-
 dt22/01/2009 dt22/01/2009 dt22/01/2009 dt22/01/2009

TITLE: **DIMENSION SHEET** **32262798R1**
 SHEET ONE OF ONE

KIRLOSKAR ELECTRIC COMPANY LTD. HUBLI-580030 (INDIA)

REV.	1	ZONE	---	DCN.No.	0122209	BRIEF RECORD	REDRAWN IN A NEW FORMAT.	Sd/-	22.01.09	QA PRODUCTION MMD	PRINTS ISSUED TO
8	7	6	5								