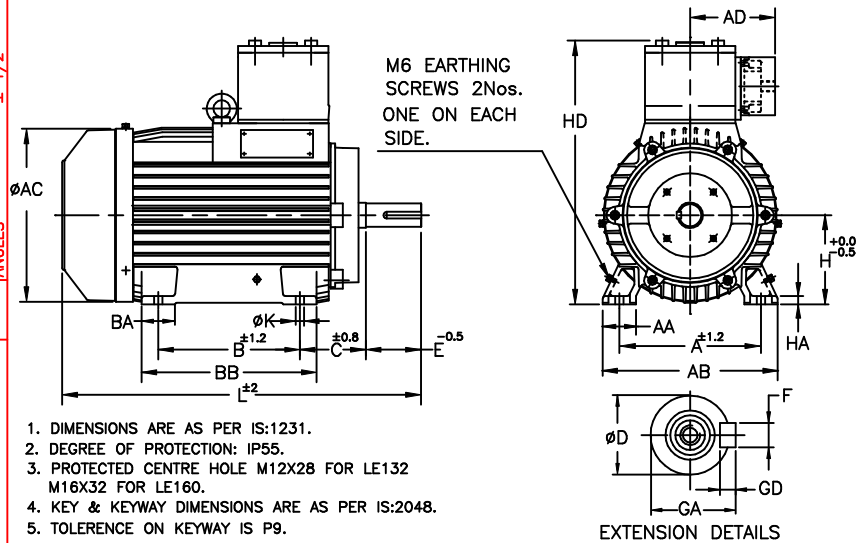


UNMENTIONED TOLERANCES

LINEAR DIMENSIONS (SUPTO (MACHINED) TOL.	ABOVE 0	6	315	1000
ANGLES	± 1/2°			

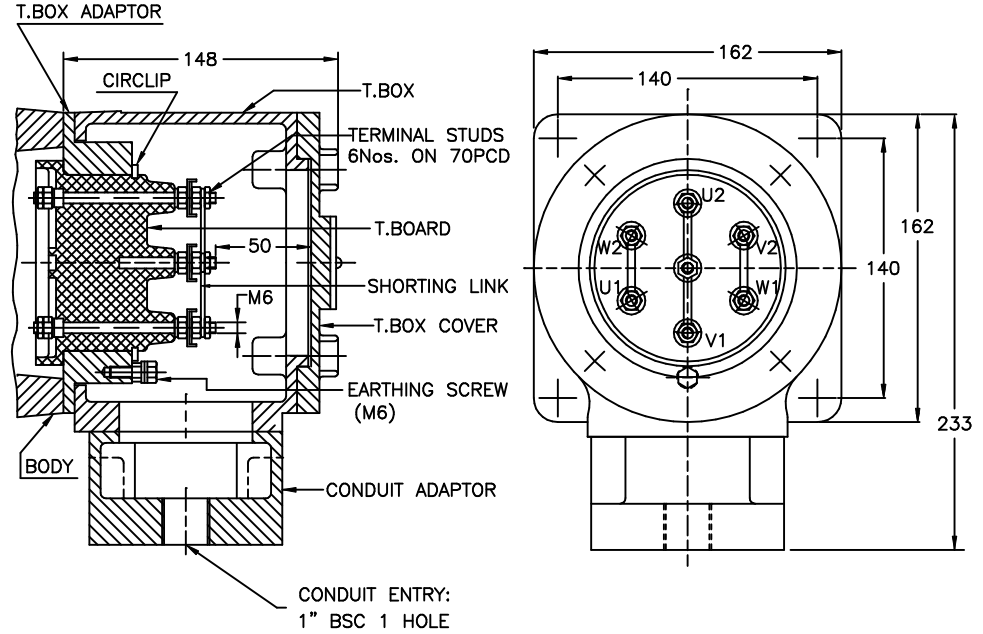
ALL INFORMATION CONTAINED IN THIS DOCUMENT IS CONFIDENTIAL AND THE PROPERTY OF KIRLOSKAR ELECTRIC CO.LTD. REPRODUCING OF THESE IN ANY FORM IS TO BE DONE WITH THE SPECIFIC PERMISSION OF THE COMPANY.

**DIMENSION DRAWING**



ITEM/TAG No.			
RATING			
CABLE SIZE			
O/A NO.:	CUSTOMER :		
PROJECT :	CONSULTANT :	JOB No. :	

**TERMINAL BOX ARRANGEMENT**



NOTE:-

1) CABLE SIZE :- LE132 & 160 - 1X3.5CX25Sq.mm(MAX)

SL	Frame	A	AA	AB	øAC	AD	B	BA	BB	C	D	E	F	GA	GD	H	HA	HD	øK	L
1	LE 132S	216	40	256	260	155	140	40	180	89	38 <sup>k6</sup>	80	10	41	8	132	15	425	12	492
2	LE 132M						178		218											530
3	LE 160M	254	60	314	311	155	210	60	270	108	42 <sup>k6</sup>	110	12	45	8	160	15	473	15	601
4	LE 160L						254		314											645

**Z122630100JR**

SURFACE ROUGHNESS (MAX) AS PER KSD-02-027

Ra	50	12.5	25	1.6	3.2	6.3	0.2	0.4	0.8	0.025	0.05	0.1
OLD	✓	✓	✓	✓	✓	✓	✓	✓	✓	✓	✓	✓
NEW	✓	✓	✓	✓	✓	✓	✓	✓	✓	✓	✓	✓

UC: CHAM: UNMENTIONED

REV.	1	ZONE	0122209	DCN.No.	REDRAWN IN A NEW FORMAT.	SIGNATURE	sd/-	DATE	22.01.09	PRINTS ISSUED TO	QA PRODUCTION MMD
BRIEF RECORD	7		6		5						

THIS SUPERSEDES ..... FROM dt ..... AS PER DCN No.....

THIS SUPERSEDED BY ..... FROM dt ..... AS PER DCN No.....

MATERIAL SPECIFICATION	RAW MATERIAL SIZE	WEIGHT kg
		RM FIN.
		SCALE

CASTING/FAB REF. No.P.S.- NTS

USED ON REDRAWN CHECKED STANDARD APPROVED

**LE132 & 160**

TITLE: **DIMENSION SHEET**

**32263098R1**

SHEET 1 OF 1

KIRLOSKAR ELECTRIC COMPANY LTD. HUBLI-580030 (INDIA)

FORM No. 02 201 02B (ISSUE 7)