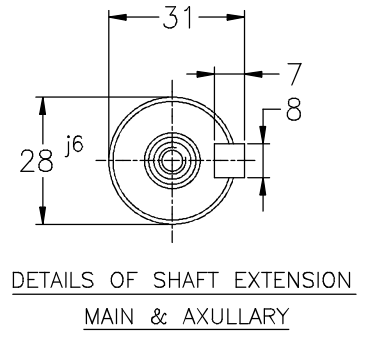
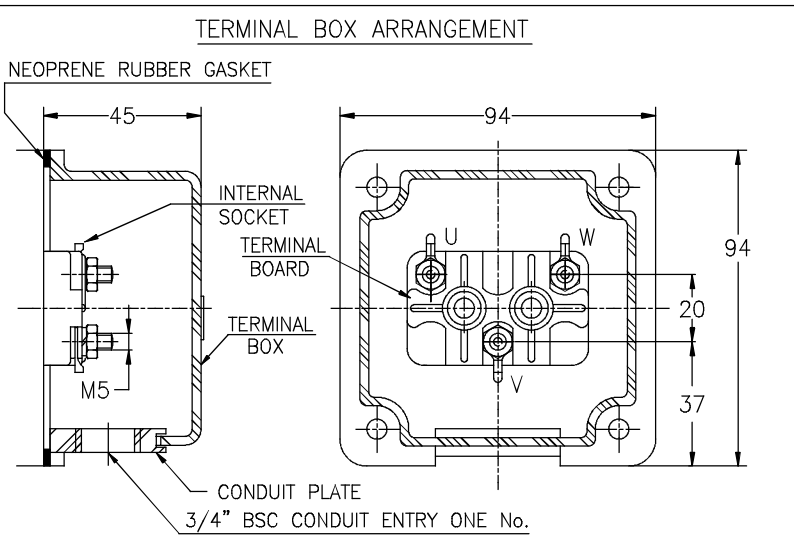


- NOTE :**
1. DIMENSIONS ARE AS PER IS:1231
 2. DEGREE OF PROTECTION: IP:55.
 3. TERMINAL BOX CAN BE ROTATABLE THROUGH 360° IN STEPS OF 90°.
 4. KEY & KEYWAY ARE AS PER IS:2048 & TOLERANCE ON KEYWAY IS P9.
 5. PROTECTED CENTRE HOLE AT SHAFT EXTENSION AS PER IS:2540.-M10X24
 6. * OPTIONAL IN CASE OF DOUBLE SHAFT EXTENSION
 7. ** OPTIONAL IN CASE OF RHS
 8. UNLESS OTHERWISE SPECIFIED TERMINAL BOX LOCATION WILL BE ON TOP SIDE WITH SINGLE SHAFT EXTENSION

M6 EARTHING SCREWS
2Nos., 1No. PER SIDE



NOTE: MAX. CABLE SIZE : MAIN-1x3Cx6 sqmm.

DRAWING No.	FROM dt.	ITEM/TAG No.	PROJECT :		
	REV.	CABLE SIZE	CONSULTANT	JOB No.	
THIS SUPERSEDES THIS IS SUPERSEDED BY	CUSTOMER / O/A No.	SCALE	SIGNATURE	DATE	PRINTS ISSUED TO.
	USED ON / TYPE	NTS	DRAWN	Shankar.S.K	28.05.15
TITLE:			CHECKED	Vishnu.S.H	28.05.15
DIMENSION SHEET			APPROVED	RNV	28.05.15
KIRLOSKAR ELECTRIC COMPANY LTD. HUBLI - 580 030 (INDIA)			DRG. NO. KHD61013		
			SHEET NO.....ONE..... OF.....ONE.....		