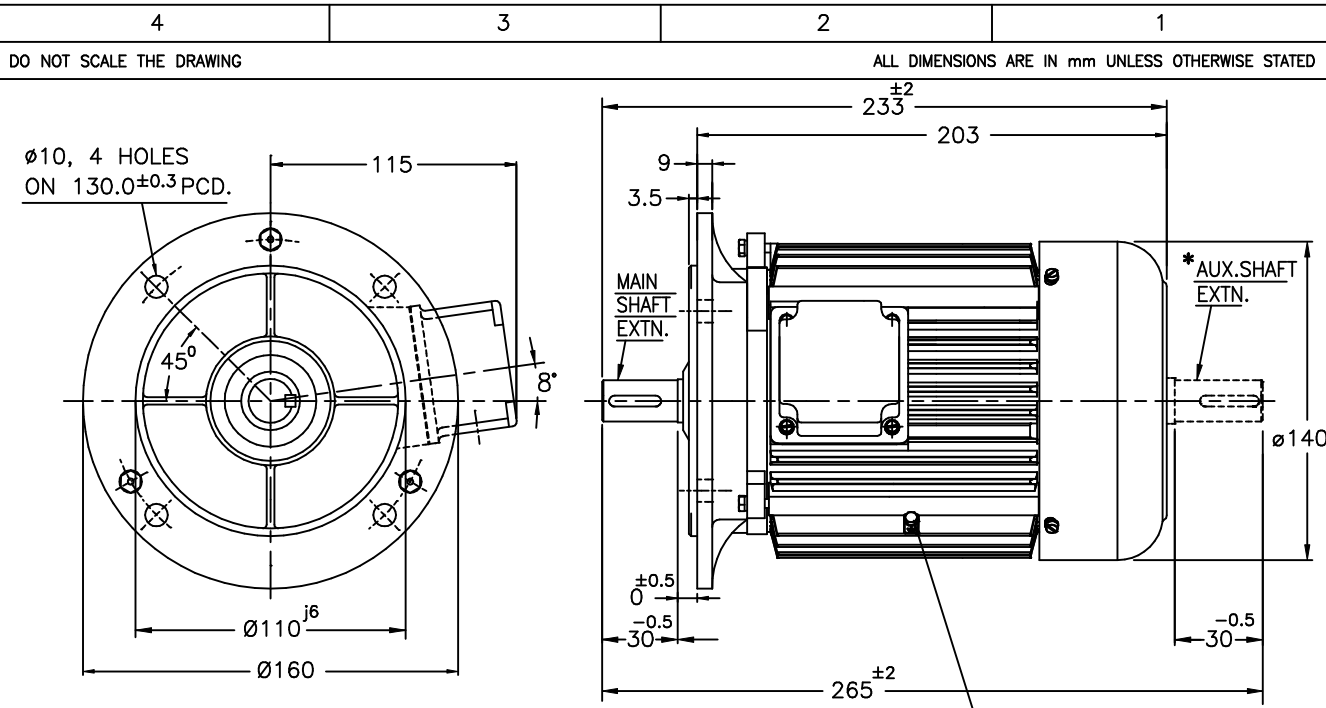


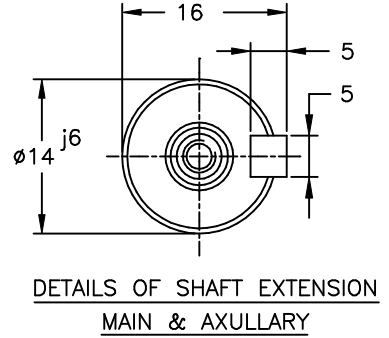
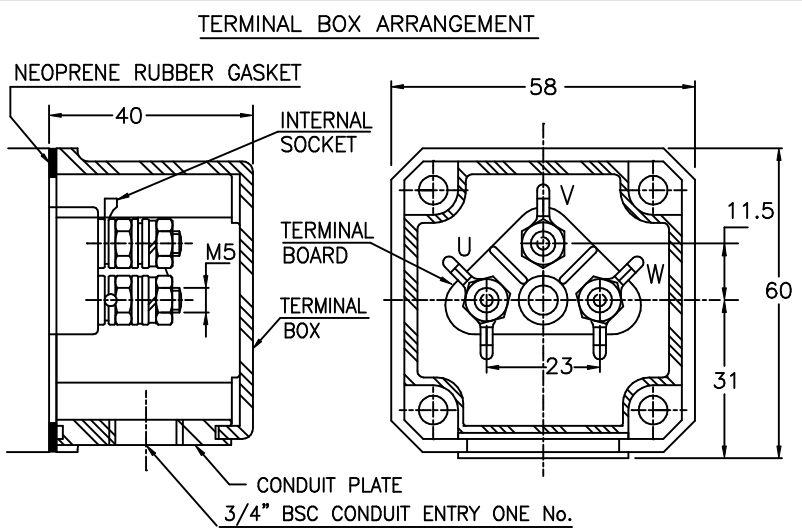
IF IN DOUBT ASK
ENGINEERING



- NOTE :**
1. DIMENSIONS ARE AS PER IS:1231 & 2223
 2. DEGREE OF PROTECTION: IP:55.
 3. TERMINAL BOX CAN BE ROTATABLE THROUGH 360° IN STEPS OF 90°.
 4. KEY & KEYWAY ARE AS PER IS:2048 & TOLERANCE ON KEYWAY IS P9.
 5. PROTECTED CENTRE HOLE AT SHAFT EXTENSION AS PER IS:2540.-M5X12
 6. * OPTIONAL IN CASE OF DOUBLE SHAFT EXTENSION
 7. UNLESS OTHERWISE SPECIFIED MOTOR WILL BE WITH SINGLE SHAFT EXTENSION

M6 EARTHING SCREWS
2Nos., 1No. PER SIDE

ALL INFORMATION CONTAINED IN THIS DOCUMENT IS CONFIDENTIAL AND THE PROPERTY OF KIRLOSKAR ELECTRIC CO. LTD. REPRODUCTION OF THESE IN ANY FORM IS TO BE DONE WITH THE SPECIFIC PERMISSION OF THE COMPANY.



NOTE: MAX. CABLE SIZE : MAIN-1x3Cx4 sqmm.

SIGN & DATE.
FROM dt.
DRAWING No.
REV.
THIS SUPERSEDES
THIS IS SUPERSEDED BY

ITEM/TAG No.			
RATING	PROJECT :		
CABLE SIZE	CONSULTANT		JOB No.
R1	—	TERMINAL BOX POSOTION CORRECTED	KKH/SPC 23.5.16
REV.	ZONE	BRIEF RECORD	SIGNATURE DATE PRINTS ISSUED TO.

CUSTOMER / O/A No.	SCALE NTS	DRAWN Shankar.S.K 05.09.15	
USED ON / TYPE FBRC71 (NYLON TERMINAL BOX)		CHECKED Vishnu.S.H 05.09.15	
TITLE: DIMENSION SHEET		APPROVED RNV 05.09.15	
		DRG. NO. KHD61060R1	
SHEET NO.....ONE..... OF.....ONE.....			