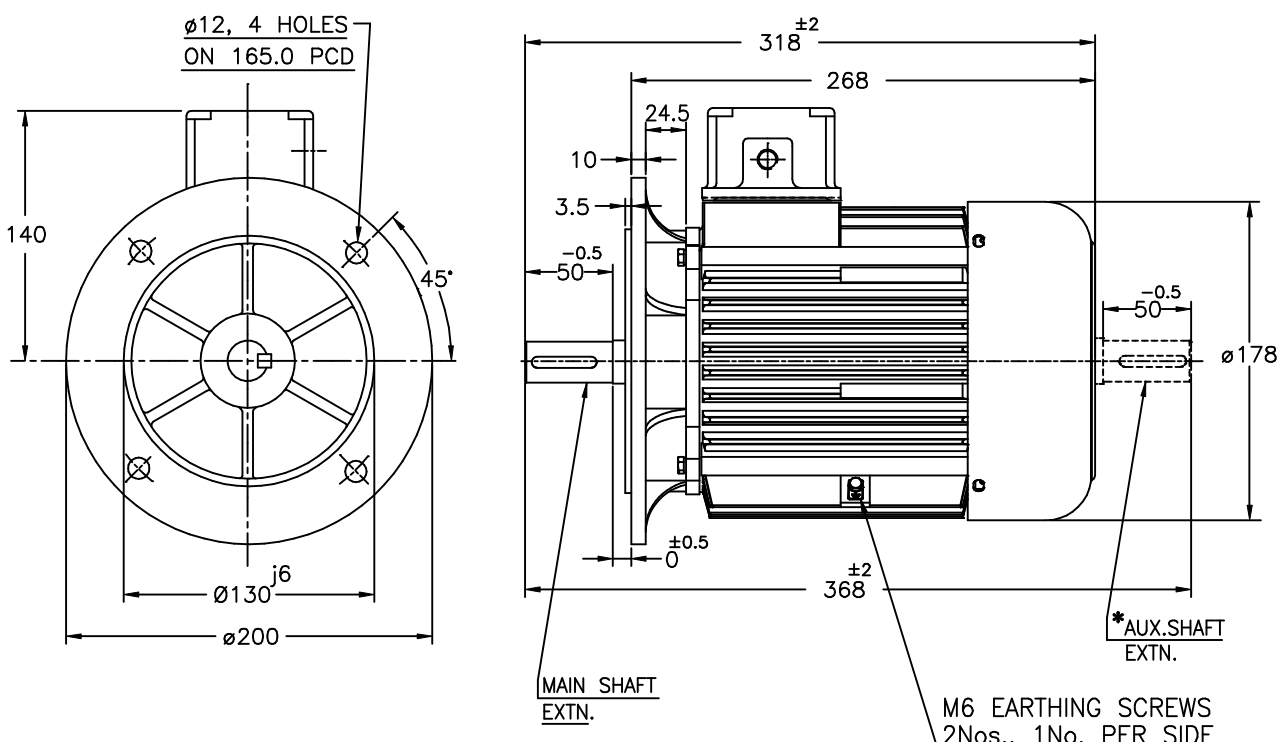
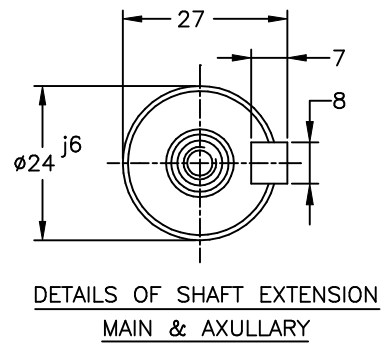
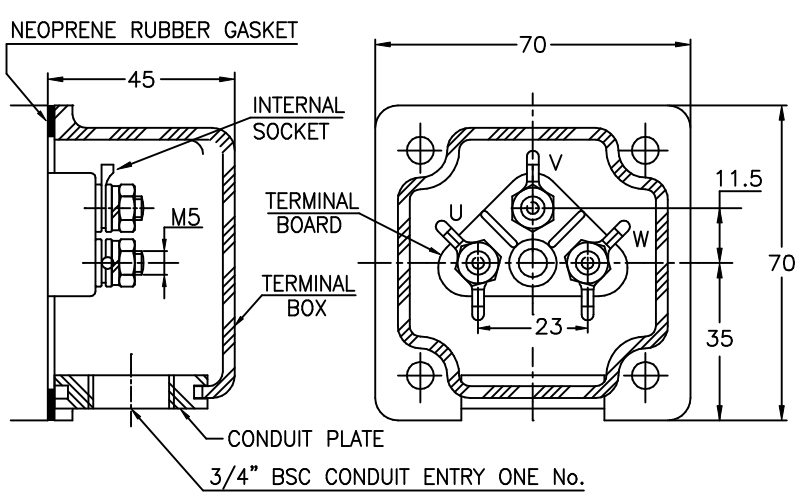


IF IN DOUBT ASK
ENGINEERING



- NOTE :**
1. DIMENSIONS ARE AS PER IS:1231 & 2223
 2. DEGREE OF PROTECTION: IP:55.
 3. TERMINAL BOX CAN BE ROTATABLE THROUGH 360° IN STEPS OF 90°.
 4. KEY & KEYWAY ARE AS PER IS:2048 & TOLERANCE ON KEYWAY IS P9.
 5. PROTECTED CENTRE HOLE AT SHAFT EXTENSION AS PER IS:2540.-M8X20
 6. * OPTIONAL IN CASE OF DOUBLE SHAFT EXTENSION

TERMINAL BOX ARRANGEMENT



NOTE: MAX. CABLE SIZE : MAIN-1x3Cx6 sqmm.

SIGN & DATE. FROM dt. DRAWING No. THIS SUPERSEDES THIS IS SUPERSEDED BY

REV.	ZONE	BRIEF RECORD	SIGNATURE	DATE	PRINTS ISSUED TO.
CUSTOMER / O/A No.		SCALE	DRAWN	Shankar.S.K	05.09.15
USED ON / TYPE		NTS	CHECKED	Vishnu.S.H	05.09.15
TITLE:			APPROVED	RNV	05.09.15
DIMENSION SHEET			DRG. NO.	KHD61062	
KIRLOSKAR ELECTRIC COMPANY LTD. HUBLI - 580 030 (INDIA)			SHEET NO.....ONE..... OF.....ONE.....		

