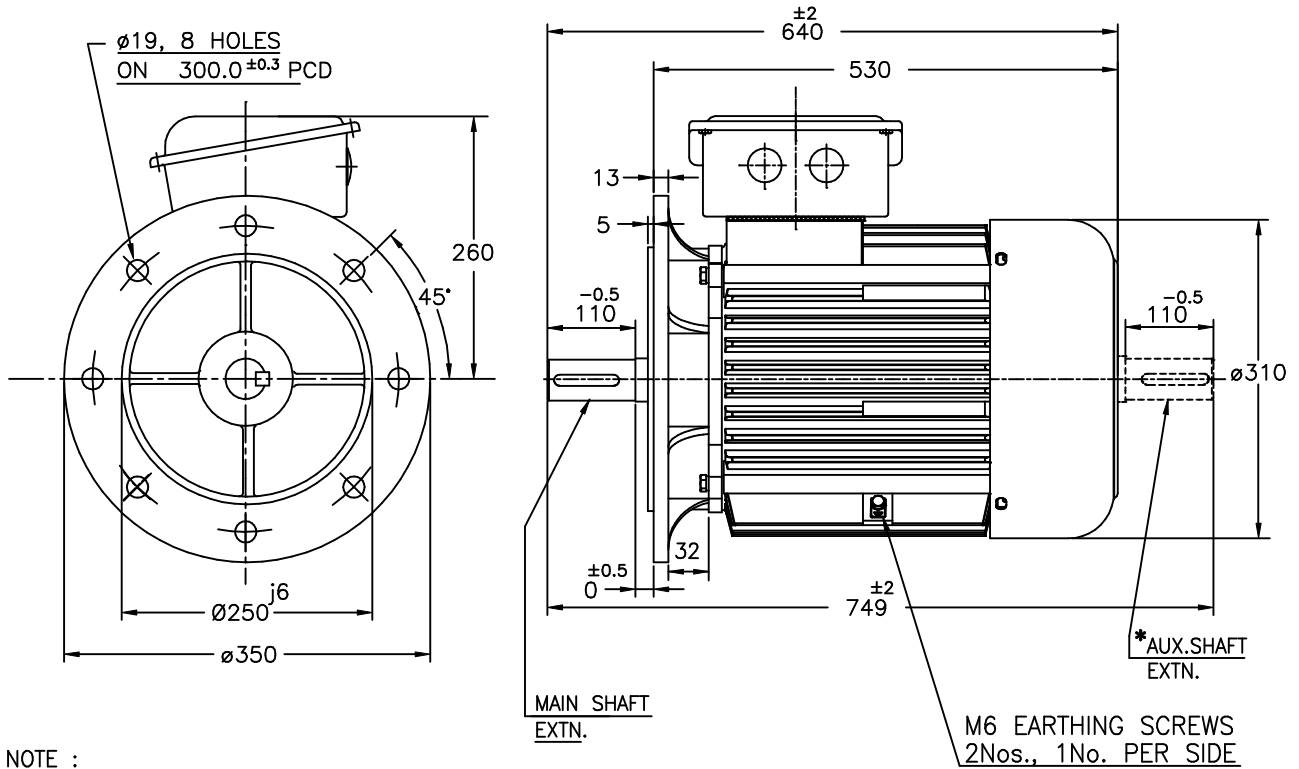


DO NOT SCALE THE DRAWING

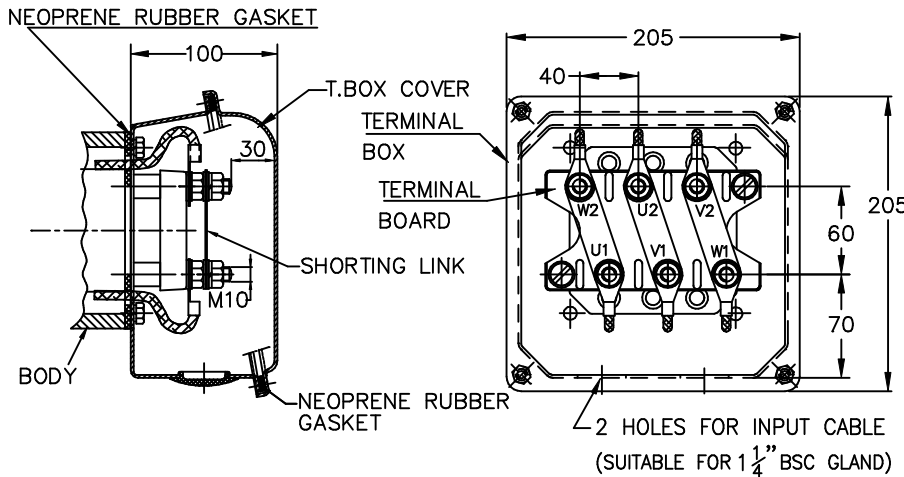
ALL DIMENSIONS ARE IN mm UNLESS OTHERWISE STATED



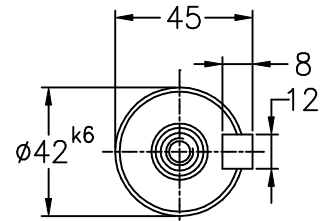
**NOTE :**

1. DIMENSIONS ARE AS PER IS:1231 & 2223
2. DEGREE OF PROTECTION: IP:55.
3. TERMINAL BOX CAN BE ROTATABLE THROUGH 360° IN STEPS OF 90°.
4. KEY & KEYWAY ARE AS PER IS:2048 & TOLERANCE ON KEYWAY IS P9.
5. PROTECTED CENTRE HOLE AT SHAFT EXTENSION AS PER IS:2540.-M16X32
6. \* OPTIONAL IN CASE OF DOUBLE SHAFT EXTENSION
7. UNLESS OTHERWISE SPECIFIED MOTOR WILL BE WITH SINGLE SHAFT EXTENSION

**TERMINAL BOX ARRANGEMENT**



NOTE: MAX. CABLE SIZE : MAIN-2x3Cx70 sqmm.  
SHORTING LINKS ARE PROVIDED ONLY FOR DOL START



**DETAILS OF SHAFT EXTENSION  
MAIN & AXULLARY**

IF IN DOUBT ASK  
ENGINEERING

ALL INFORMATION CONTAINED IN THIS DOCUMENT IS CONFIDENTIAL AND THE PROPERTY OF KIRLOSKAR ELECTRIC CO. LTD. REPRODUCTION OF THESE IN ANY FORM IS TO BE DONE WITH THE SPECIFIC PERMISSION OF THE COMPANY.

SIGN & DATE

FROM dt.

DRAWING No.

THIS SUPERSEDES  
THIS IS SUPERSEDED BY

REV.	ZONE	BRIEF RECORD	SIGNATURE	DATE	PRINTS ISSUED TO.
CUSTOMER / O/A No.		SCALE NTS	DRAWN	SPC	23.6.2016
USED ON / TYPE BRC160 (SHEET METAL T.BOX WITHOUT GLAND, DOUBLE ENTRY)			CHECKED	Vishnu.S.H	23.6.2016
TITLE: DIMENSION SHEET			APPROVED	RNV	23.6.2016
			DRG. NO.	KHD61074	
			SHEET NO.....ONE..... OF.....ONE.....		

