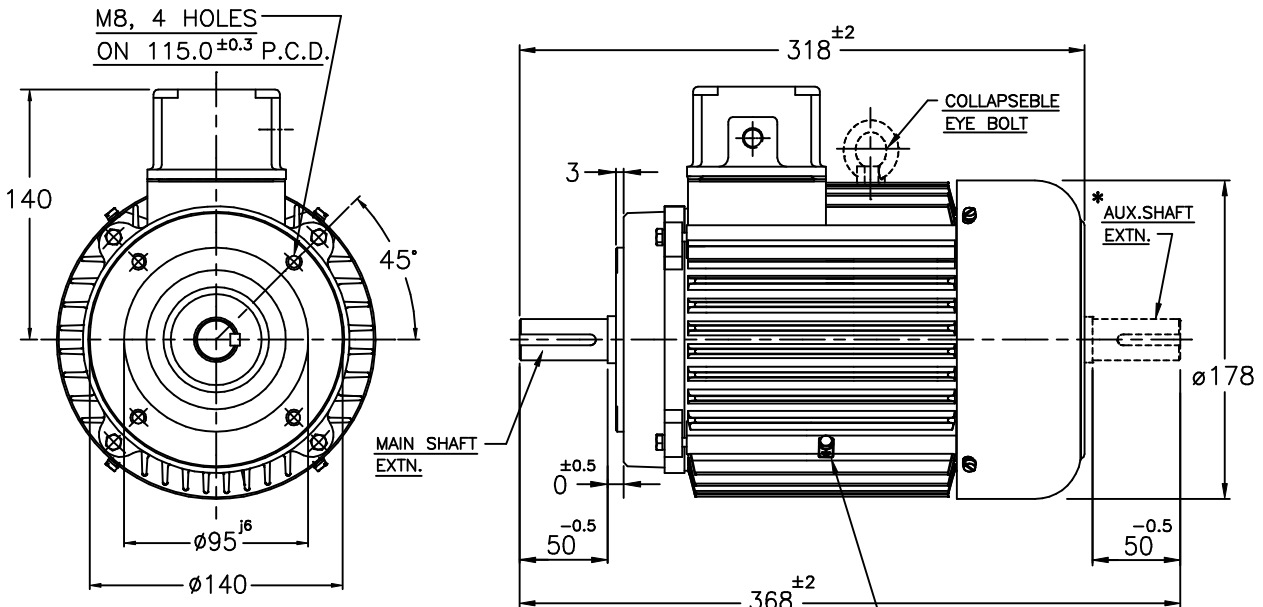


IF IN DOUBT ASK
 ENGINEERING



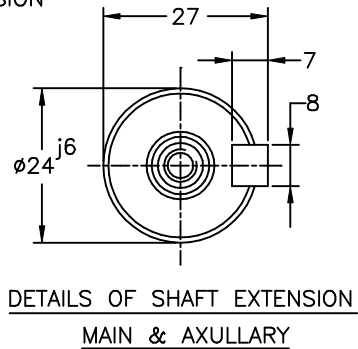
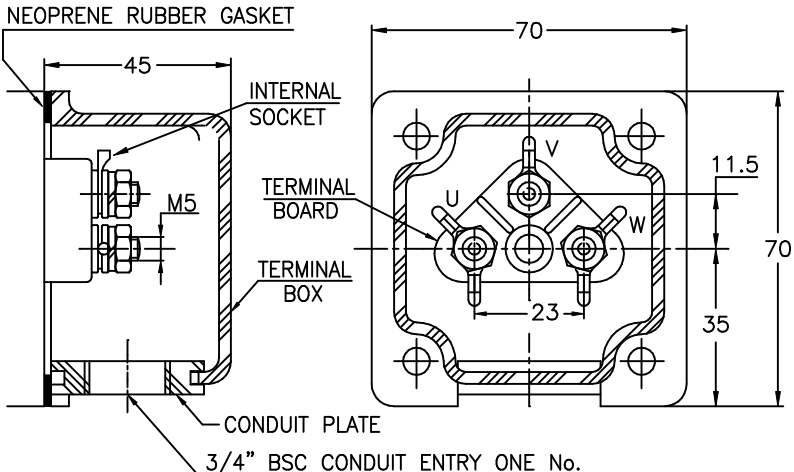
NOTE :

1. DIMENSIONS ARE AS PER IS:1231
2. DEGREE OF PROTECTION: IP:55.
3. TERMINAL BOX CAN BE ROTATABLE THROUGH 360° IN STEPS OF 90°.
4. KEY & KEYWAY ARE AS PER IS:2048 & TOLERANCE ON KEYWAY IS P9.
5. PROTECTED CENTRE HOLE AT SHAFT EXTENSION AS PER IS:2540.-M8X20
6. * OPTIONAL IN CASE OF DOUBLE SHAFT EXTENSION
7. ** OPTIONAL IN CASE OF RHS
7. UNLESS OTHERWISE SPECIFIED MOTOR WILL BE WITH SINGLE SHAFT EXTENSION

M6 EARTHING SCREWS
 2Nos., 1No. PER SIDE

ALL INFORMATION CONTAINED IN THIS DOCUMENT IS CONFIDENTIAL AND THE PROPERTY OF KIRLOSKAR ELECTRIC CO. LTD. REPRODUCTION OF THESE IN ANY FORM IS TO BE DONE WITH THE SPECIFIC PERMISSION OF THE COMPANY.

TERMINAL BOX ARRANGEMENT



NOTE: MAX. CABLE SIZE : MAIN-1x3Cx6 sqmm.

SIGN & DATE.
 FROM dt.
 DRAWING No.
 REV. ZONE
 THIS SUPERSEDES
 THIS IS SUPERSEDED BY

| | | | |
|--------------------|--|-------------------|------------|
| ITEM/TAG No. | | | |
| RATING | | | PROJECT : |
| CABLE SIZE | | | CONSULTANT |
| | | JOB No. | |
| BRIEF RECORD | | SIGNATURE | DATE |
| CUSTOMER / O/A No. | | PRINTS ISSUED TO. | |

| | | |
|---|-----------------------------------|--|
| SCALE NTS | DRAWN Shankar.S.K 28.05.15 | |
| USED ON / TYPE CRC90SL (NYLON TERMINAL BOX) | CHECKED Vishnu.S.H 28.05.15 | |
| TITLE: DIMENSION SHEET | APPROVED RNV 28.05.15 | |
| DRG. NO. KHD61101 | | |
| SHEET NO.....ONE..... OF.....ONE..... | | |