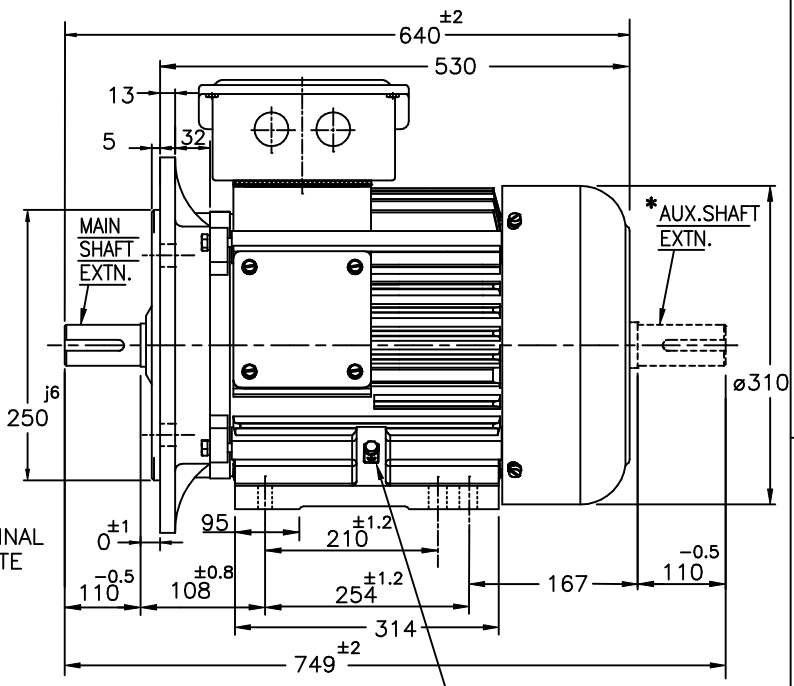
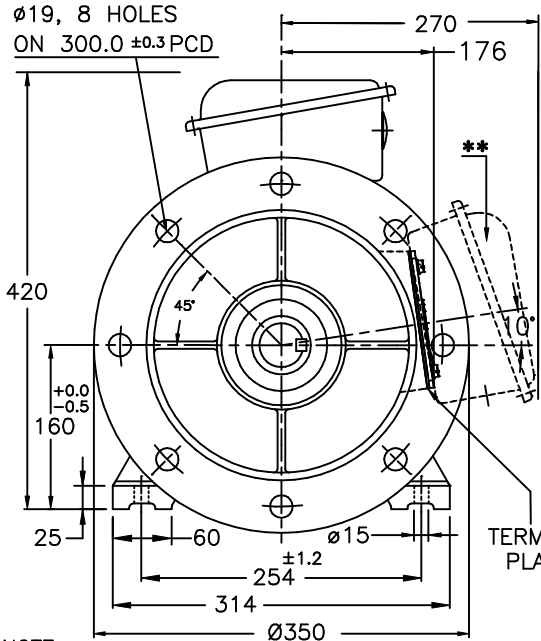


DO NOT SCALE THE DRAWING ALL DIMENSIONS ARE IN mm UNLESS OTHERWISE STATED

IF IN DOUBT ASK ENGINEERING



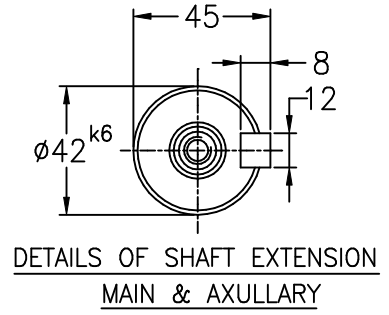
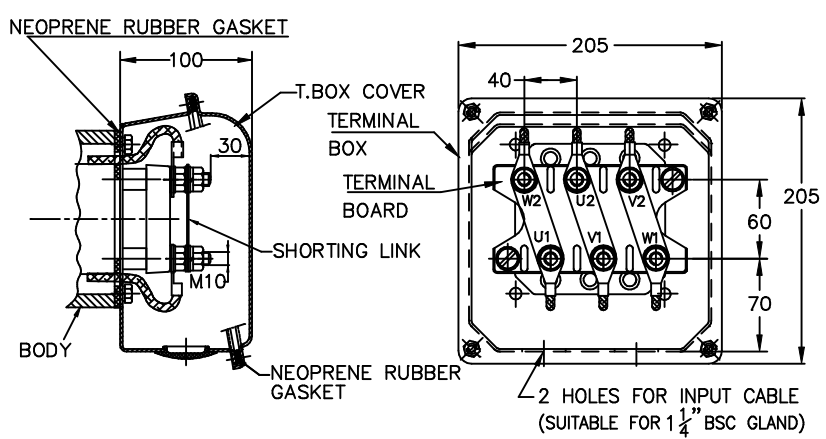
NOTE :

1. DIMENSIONS ARE AS PER IS:1231
2. DEGREE OF PROTECTION: IP:55.
3. TERMINAL BOX CAN BE ROTATABLE THROUGH 360° IN STEPS OF 90°.
4. KEY & KEYWAY ARE AS PER IS:2048 & TOLERANCE ON KEYWAY IS P9.
5. PROTECTED CENTRE HOLE AT SHAFT EXTENSION AS PER IS:2540.-M16X32
6. \* OPTIONAL IN CASE OF DOUBLE SHAFT EXTENSION
7. \*\* OPTIONAL IN CASE OF RHS
8. UNLESS OTHERWISE SPECIFIED TERMINAL BOX LOCATION WILL BE ON TOP SIDE WITH SINGLE SHAFT EXTENSION

M6 EARTHING SCREWS  
2Nos., 1No. PER SIDE

ALL INFORMATION CONTAINED IN THIS DOCUMENT IS CONFIDENTIAL AND THE PROPERTY OF KIRLOSKAR ELECTRIC CO. LTD. REPRODUCTION OF THESE IN ANY FORM IS TO BE DONE WITH THE SPECIFIC PERMISSION OF THE COMPANY.

TERMINAL BOX ARRANGEMENT



NOTE: MAX. CABLE SIZE : MAIN-2x3Cx70 sqmm.  
SHORTING LINKS ARE PROVIDED ONLY FOR DOL START

SIGN & DATE

FROM dt.

DRAWING No. REV. ZONE BRIEF RECORD SIGNATURE DATE PRINTS ISSUED TO.

ITEM/TAG No.	
RATING	PROJECT :
CABLE SIZE	CONSULTANT
	JOB No.

CUSTOMER / O/A No.	SCALE NTS	DRAWN SPC 23.6.2016	
USED ON / TYPE FBRC160ML (SHEET METAL T.BOX WITHOUT GLAND, DOUBLE ENTRY)		CHECKED Vishnu.S.H 23.6.2016	
TITLE: DIMENSION SHEET		APPROVED RNV 23.6.2016	
		DRG. No. KHD61121	
		SHEET NO.....ONE..... OF.....ONE.....	