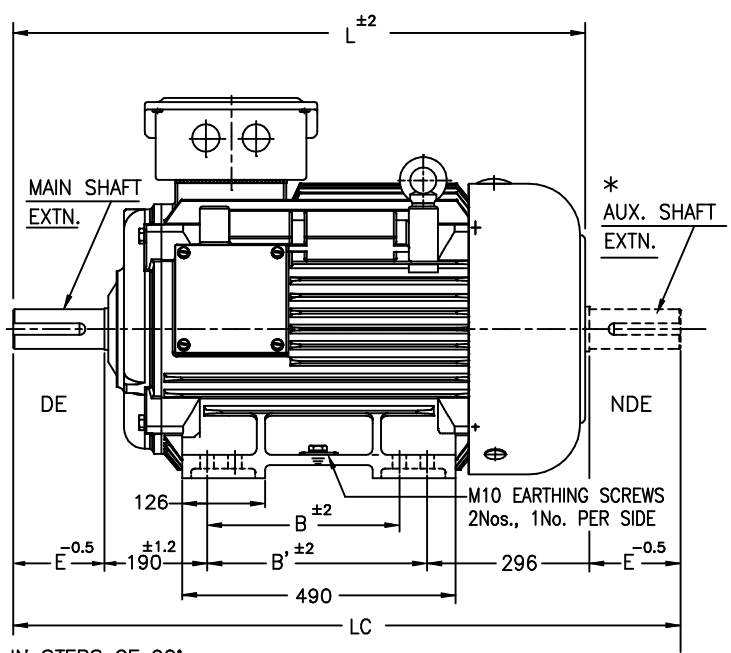
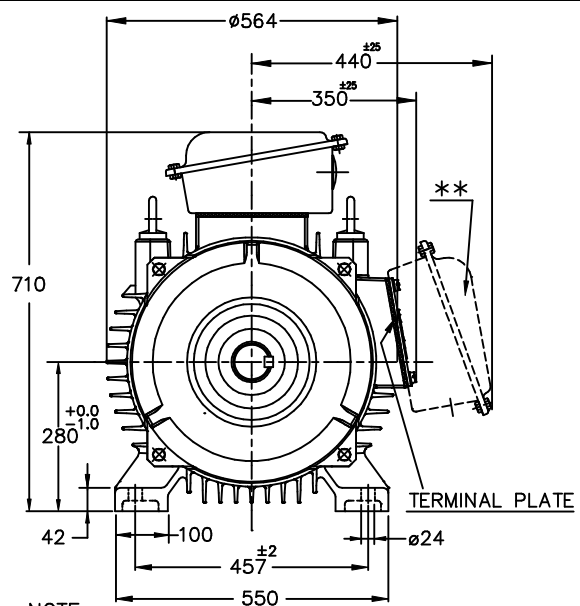


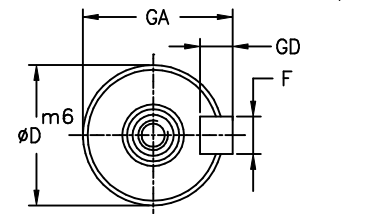
IF IN DOUBT ASK
ENGINEERING



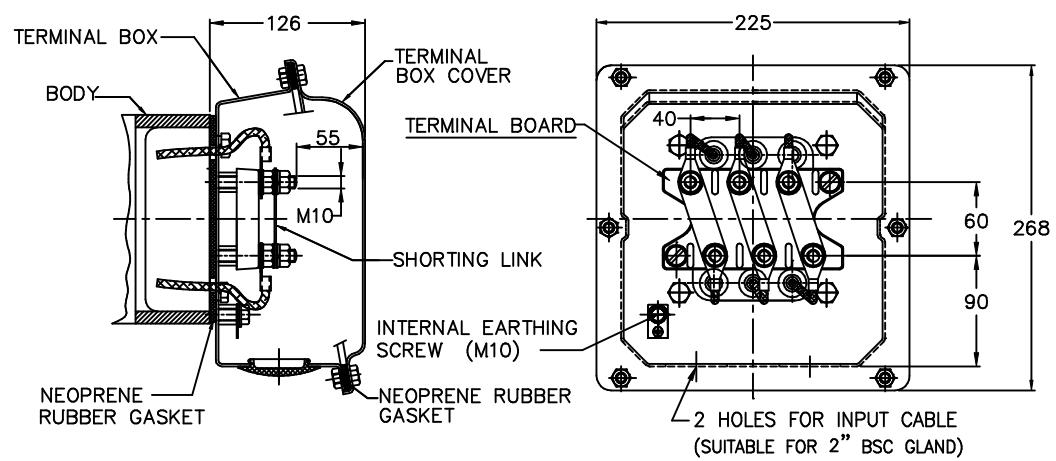
NOTE :

1. DIMENSIONS ARE AS PER IS:1231
2. DEGREE OF PROTECTION / COOLING: IP:55/IC:411.
3. TERMINAL BOX CAN BE ROTATABLE THROUGH 360° IN STEPS OF 90°.
4. KEY & KEYWAY ARE AS PER IS:2048 & TOLERANCE ON KEYWAY IS P9.
5. PROTECTED CENTRE HOLE AT SHAFT EXTENSION AS PER IS:2540.-M20x40 deep.
6. * OPTIONAL INCASE OF DOUBLE SHAFT EXTENSION
7. ** OPTIONAL INCASE OF RHS T.BOX
8. UNLESS OTHERWISE SPECIFIED TERMINAL BOX LOCATION WILL BE ON TOP SIDE WITH SINGLE SHAFT EXTENSION

4, 6 & 8	368	419	75	140	20	79.5	12	1035	1185
2			65	140	18	69	11		
POLE	B	B'	D	E	F	GA	GD	L	LC



TERMINAL BOX ARRANGEMENT



NOTE: -1. MINIMUM ELECTRICAL CLEARANCE AND CREEPAGE DISTANCES ARE AS PER BS: 4999, PART-145. MAX. CABLE SIZE : MAIN- 2 x 3.5C x 185 sq.mm, AYFY

ALL INFORMATION CONTAINED IN THIS DOCUMENT IS CONFIDENTIAL AND THE PROPERTY OF KIRLOSKAR ELECTRIC CO. LTD. REPRODUCTION OF THESE IN ANY FORM IS TO BE DONE WITH THE SPECIFIC PERMISSION OF THE COMPANY.

FROM dt. -- --

DRAWING No. -- --

REV. ZONE BRIEF RECORD SIGNATURE DATE PRINTS ISSUED TO.

CUSTOMER / O/A No. SCALE NTS DRAWN SPC 16.6.2016

USED ON / TYPE RC280SM (SHEET METAL T.BOX WITHOUT GLAND, DOUBLE ENTRY) CHECKED VISHNU 16.6.2016

TITLE: DIMENSION SHEET APPROVED RNV 16.6.2016

DRG. NO. KHD61286

SHEET NO.....ONE..... OF.....ONE.....

ITEM/TAG No.			
RATING	PROJECT :		
CABLE SIZE	CONSULTANT		JOB No.
REV.	ZONE	BRIEF RECORD	SIGNATURE DATE PRINTS ISSUED TO.
CUSTOMER / O/A No.		SCALE	DRAWN SPC 16.6.2016
USED ON / TYPE		SCALE	CHECKED VISHNU 16.6.2016
TITLE:		SCALE	APPROVED RNV 16.6.2016
DIMENSION SHEET		DRG. NO.	KHD61286
KIRLOSKAR ELECTRIC COMPANY LTD. HUBLI - 580 030 (INDIA)		SHEET NO.....ONE..... OF.....ONE.....	