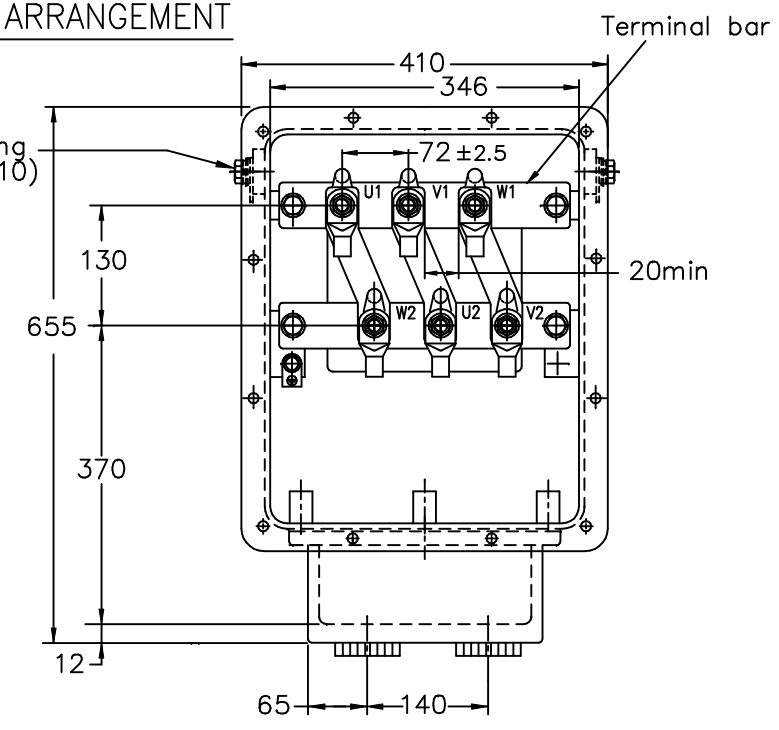
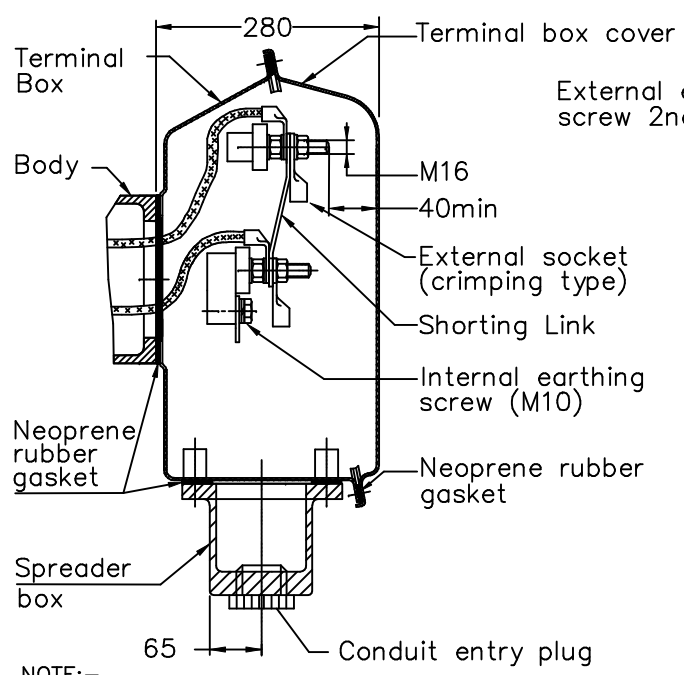


- NOTE :**
1. DIMENSIONS ARE AS PER IS:1231
  2. DEGREE OF PROTECTION / COOLING: IP:55/IC:411.
  3. TERMINAL BOX CAN BE ROTATABLE THROUGH 360° IN STEPS OF 90°.
  4. KEY & KEYWAY ARE AS PER IS:2048 & TOLERANCE ON KEYWAY IS P9.
  5. PROTECTED CENTRE HOLE AT SHAFT EXTENSION AS PER IS:2540. M20x40
  6. \* OPTIONAL INCASE OF DOUBLE SHAFT EXTENSION
  7. UNLESS OTHERWISE SPECIFIED TERMINAL BOX WILL BE ON RHS WITH SINGLE SHAFT EXTENSION

RC315SM	4,6&8	80	170	22	85	14	1185	1365
	2	65	140	18	69	11	1155	1305
FRAME	POLE	D	E	F	GA	GD	L	LC

M12 EARTHING SCREWS 2Nos., 1No. PER SIDE

**TERMINAL BOX ARRANGEMENT**



- NOTE:-**
1. MINIMUM ELECTRICAL CLEARANCE AND CREEPAGE DISTANCES ARE AS PER BS: 4999, PART-145.
  2. MAX. CABLE SIZE:- 2 OF 3 C x 240 Sq.mm AYFY.

ITEM/TAG No.		PROJECT :		JOB No.	
RATING		CONSULTANT		CUSTOMER / O/A No.	
CABLE SIZE				SCALE	
R2	RC250 SIZE T.BOX LOCATED ON TOP SIDE OF MOTOR REMOVED	SPC/VSH	30.7.16	USED ON / TYPE	RC315SM (DOUBLE ENTRY WITHOUT GLAND)
R1	DIMS. 537 WAS 730 (MISTAKE CORRECTED)	KKH	24.6.16		
REV.	ZONE	BRIEF RECORD	SIGNATURE	DATE	TITLE:
ALL INFORMATION CONTAINED IN THIS DOCUMENT IS CONFIDENTIAL AND THE PROPERTY OF <b>KIRLOSKAR ELECTRIC CO. LTD.</b> REPRODUCTION OF THESE IN ANY FORM IS TO BE DONE WITH THE SPECIFIC PERMISSION OF THE COMPANY.		DRAWING No.	FROM DT.	SIGN & DATE.	DIMENSION SHEET
PRINTS ISSUED TO		THIS SUPERSEDES			
		THIS IS SUPERSEDED BY			
				SHEET NO. ONE OF ONE	
<b>KIRLOSKAR ELECTRIC COMPANY LTD. HUBLI - 580030 (INDIA)</b>					