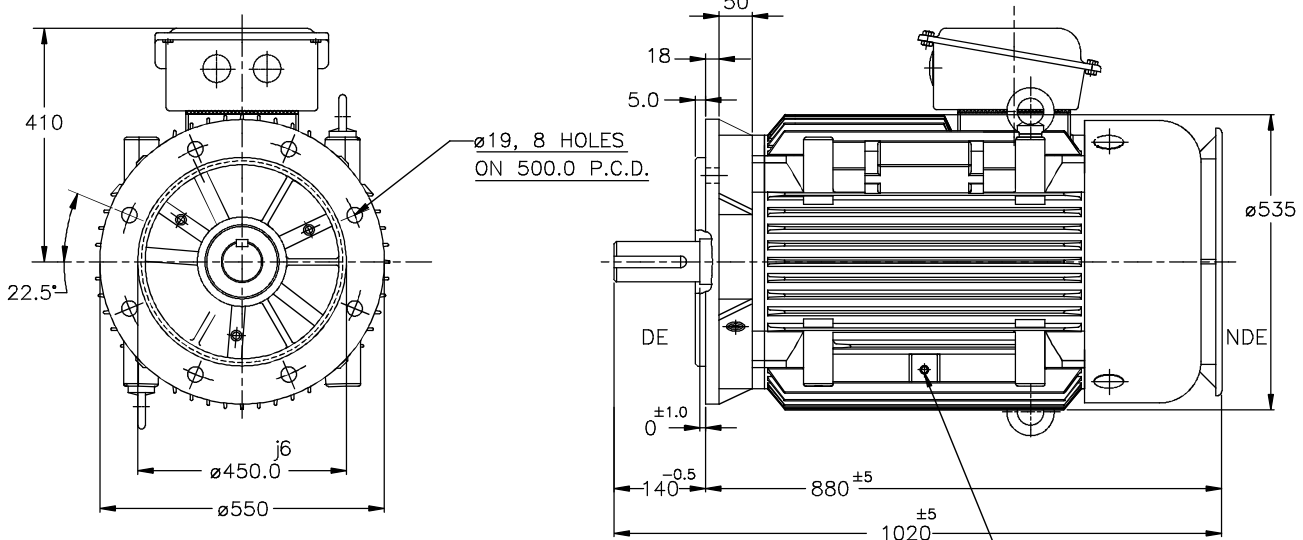


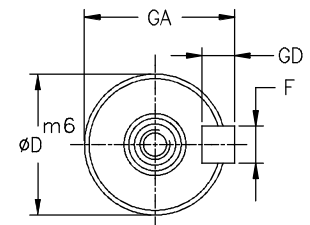
IF IN DOUBT ASK
ENGINEERING



NOTE :

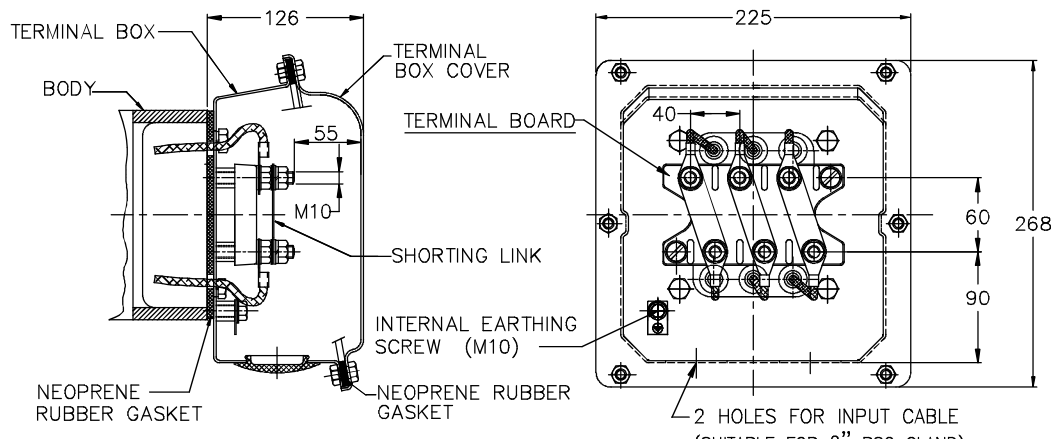
1. DIMENSIONS ARE AS PER IS:1231,2223
2. DEGREE OF PROTECTION / COOLING: IP:55/IC:411.
3. TERMINAL BOX CAN BE ROTATABLE THROUGH 360° IN STEPS OF 90°.
4. KEY & KEYWAY ARE AS PER IS:2048 & TOLERANCE ON KEYWAY IS P9.
5. PROTECTED CENTRE HOLE AT SHAFT EXTENSION AS PER IS:2540.-M20x40 deep.

4, 6 & 8	65	18	69	11
2	60	18	64	11
POLE	∅D	F	GA	GD



DETAILS OF SHAFT EXTENSION

TERMINAL BOX ARRANGEMENT



NOTE: -1. MINIMUM ELECTRICAL CLEARANCE AND CREEPAGE DISTANCES ARE AS PER BS:4999, PART-145.
MAX. CABLE SIZE : MAIN- 2 x 3.5C x 185 sq.mm, AYFY

SIGN & DATE. -- --

FROM dt. -- --

DRAWING No. -- --
THIS SUPERSEDES
THIS IS SUPERSEDED BY

ITEM/TAG No.			
RATING	PROJECT :		
CABLE SIZE	CONSULTANT		JOB No.

REV.	ZONE	BRIEF RECORD	SIGNATURE	DATE	PRINTS ISSUED TO.
CUSTOMER / O/A No.		SCALE	DRAWN	SPC	18.6.2016
USED ON / TYPE		NTS	CHECKED	Vishnu.S.H	18.6.2016
TITLE:			APPROVED	RNV	18.6.2016
DIMENSION SHEET			DRG. NO. KHD61333		
			SHEET NO.....ONE..... OF.....ONE.....		